

AMES 3000B

SIZE

2"

DESCRIPTION

This is a double check detector assembly. Production began in 1998. In 1997 the Ames Company was purchased by Watts Regulator Company. Ames began to market the Watts 007 DCDA as their Model 3000B.

BASIC REPAIR KIT

The repair kit contains all check disc holders and O-rings

SIZE

2"

KIT NO

007M1RT200

Bypass kit contains all check disc holders and O-rings

SIZE

1/2" 2000B

KIT NO

007RT050

IMPORTANT FEATURES

~Bronze body

~Replaceable check seat

~Contained springs

~Factory repair information enclosed



2" 3000 B Double Check Detector Assembly



Pressure — Temperature

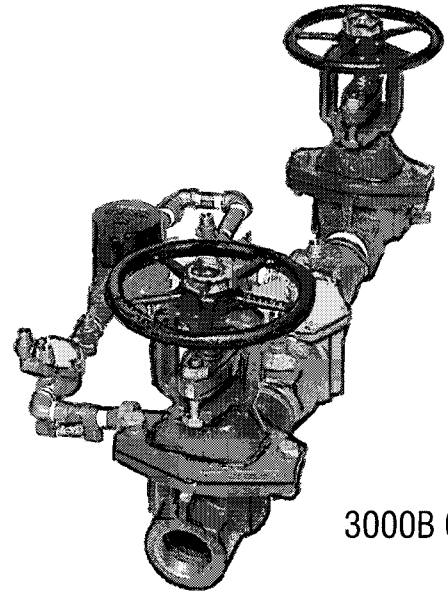
Suitable for supply pressure up to 175psi (12.06 bar)
Water temperature at 110°F (43°C) continuous.

OTHER SPECIFICATIONS

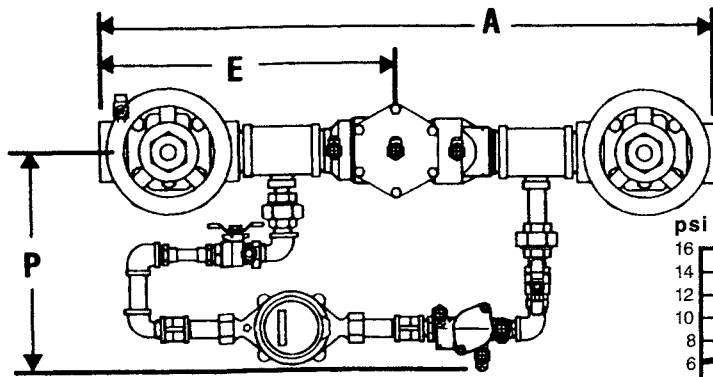
- Bronze Body (2" size)
- Durable tight seating silicone discs
- Stainless steel springs
- 5/8" x 3/4" (16 x 19 mm) bronze meter

2" unit is suitable for supply pressures up to 175 psi (12.06 bars) and water temperature at 110° F (43° C) continuous, 140° F (60° C) intermittent.

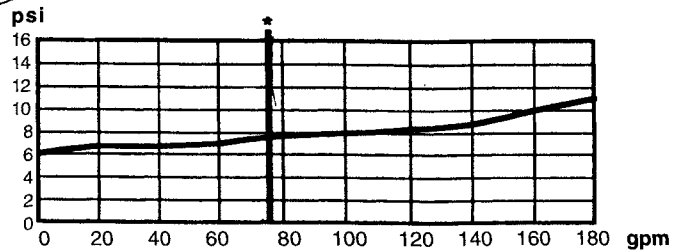
ASSE Standard No. 1048
AWWA Standard C510-92
CSA B .5
IAMO PS 31



3000B OSY



2" 3000 B



Dimensions

| Model No. | Size | | A | | E | | P | | Weight | |
|-----------|------|----|--------|-----|--------|-----|--------|-----|--------|------|
| | in | mm | in. | mm | in. | mm | in. | mm | lbs. | kgs. |
| 3000B OSY | 2" | 50 | 35 1/8 | 892 | 16 3/4 | 426 | 12 1/4 | 311 | 97 | 44 |

UL Classified with OS&Y Gate Valves (Horizontal Only)
*Approved by the Foundation for Cross-Connection Control and Hydraulic Research at the University of Southern California.

*2" 3000B horizontal or vertical upward flow position

Ames product specifications in U. S. customary units and metric are approximate and are provided for reference only. For precise measurements, please contact Ames Technical Service. Ames reserves the right to change or modify product design, construction, specifications, or materials without prior notice and without incurring any obligation to make such changes and modifications on Ames products previously or subsequently sold.