

FEBCO 767FR

SIZE

1/2", 3/4", 1", 1 1/4", 1 1/2", 2"

DESCRIPTION

This is a pressure vacuum breaker. Febco was purchased by the Watts Regulator Company in 2005. In 2006 Febco began selling the Watts model 800 M4FR as the Febco 767FR. For repair information see Watts model 800M4FR.

BASIC REPAIR KIT

Repair kit contains the rubber disc and O'rings.

<u>SIZE</u>	<u>KIT NO</u>
1/2"-3/4"	800M4-RT050
1"	800M4-RT100
1 1/4"-2"	800M4-RT125

IMPORTANT FEATURES

- ~Bronze Body*
- ~Contained check spirng*
- ~Test cocks are mounted on ball valve*
- ~Factory repair information enclosed*



Series 767FR **FEBCO** Freeze-Resistant Pressure Vacuum Breakers

Sizes: 1/2" - 2" (15 - 50mm)

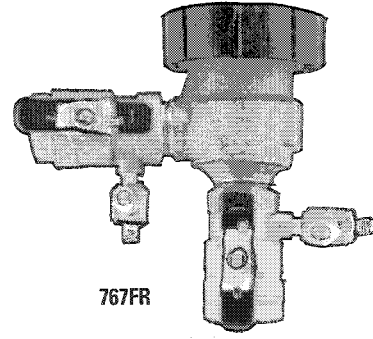
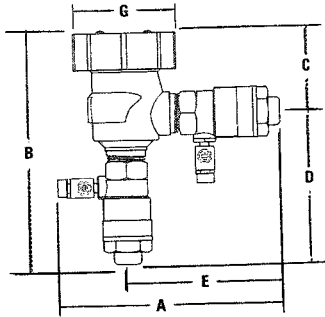
Materials

- Springs: Stainless Steel
- Bonnet: Celcon®
- Vent Disc: Silicone Rubber
- Disc Holder Float: Polypropylene
- Check Valve Disc: Silicone Rubber
- Check Valve Seat: Noryl Plastic
- Body: Bronze
- Celcon® is a registered trademark of Celanese Limited.

Pressure - Temperature

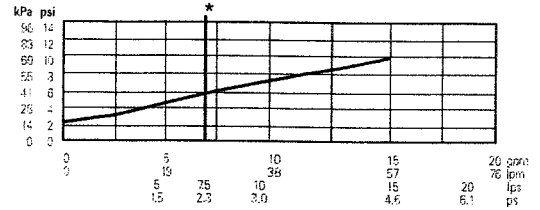
- Temperature Range: 33°F to 140° (0.5°C to 60°C)
- Maximum Working Pressure: 150psi (10.3 bar)
- Minimum Working Pressure: 15psi (103 kPa)

Dimensions - Weights

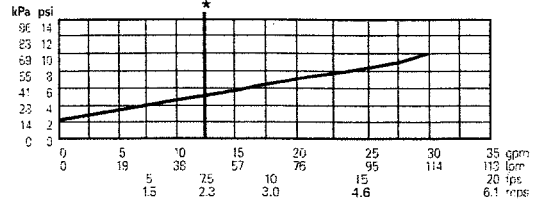


767FR

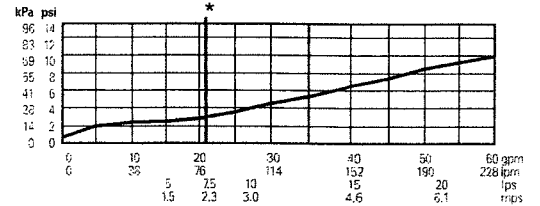
1/2" (15mm)



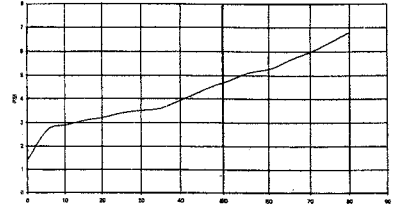
3/4" (20mm)



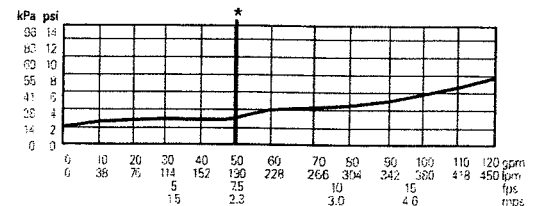
1" (25mm)



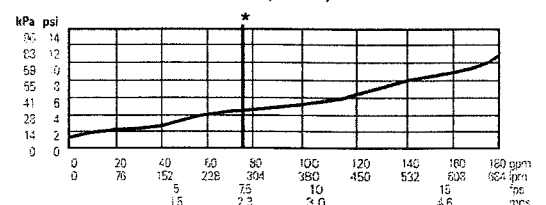
1 1/4" (32mm)



1 1/2" (40mm)



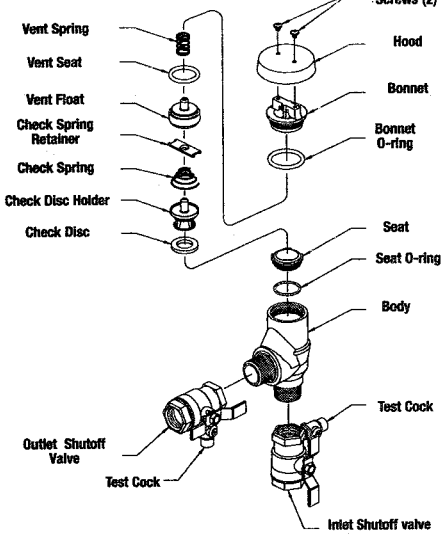
2" (50mm)



767FR

SIZE (DN)	DIMENSIONS										WEIGHT				
	in.	mm	in.	mm	in.	mm	in.	mm	in.	mm	in.	mm	lbs.	kgs.	
1/2	15	6 1/4	156	6 1/4	159	2 1/8	65	3 1/16	94	3 3/4	98	2 1/4	57	4	1.8
3/4	20	6 1/2	165	6 1/2	165	2 1/8	65	3 1/16	100	4 1/4	105	2 1/4	57	4	1.8
1	25	7 1/2	191	7 1/2	191	2 3/4	70	4 1/4	121	4 1/4	124	3 3/16	87	6	2.7
1 1/4	32	8 1/4	225	9	229	3 1/4	83	5 1/4	146	6 1/4	156	5	127	11	5.0
1 1/2	40	9 1/4	235	9 1/2	241	3 3/4	83	6 1/4	159	6 1/4	162	5	127	14	6.3
2	50	10 1/2	270	9 3/4	245	3 3/4	83	6 3/4	162	7	178	5	127	19	8.6

(Size 1/2" - 3/4")



(Size 1" - 2")

