

FEBCO 857

SIZE

2 1/2", 3"

DESCRIPTION

This is a double check assembly. Febco was purchased by the Watts Regulator Company in 2005. In 2006 Febco began selling the Watts model 007 as the Febco model 857. For repair information see Watts model 007.

BASIC REPAIR KIT

The repair kit contains all discs and O'rings.

<u>SIZE</u>	<u>KIT NO</u>
2 1/2"-3"	007-RT250

IMPORTANT FEATURES

- ~Cast iron fused epoxy body*
- ~Replaceable check seats*
- ~Contained springs*
- ~Factory repair information enclosed*



Series 857

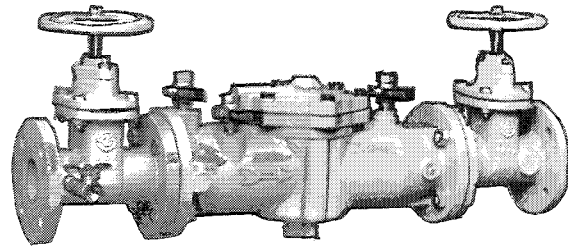
Double Check Valve Assemblies

Sizes: 2½" and 3" (65 and 80mm)

Pressure — Temperature

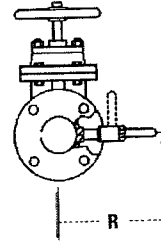
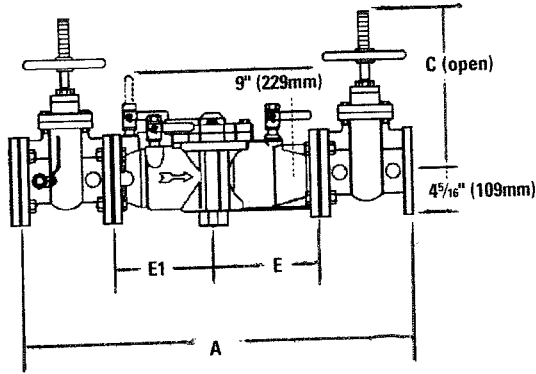
Temperature Range: 33°F – 110°F (0.5°C – 43°C) continuous,
140°F (60°C) intermittent.

Maximum Working Pressure: 175psi (12.06 bar).



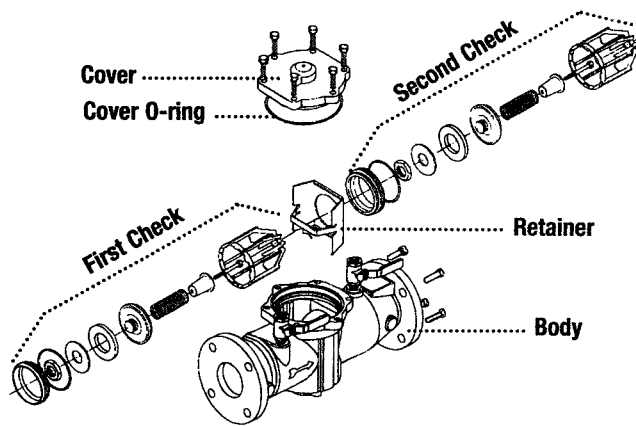
857

Dimensions – Weights

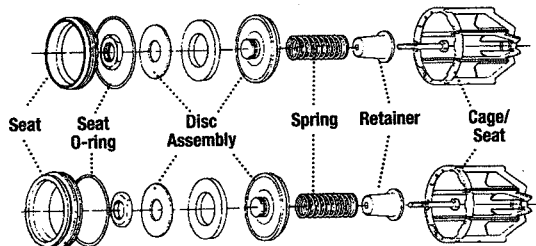


Size: 2½" - 3" (65 - 80mm)

MODEL	SIZE (DN)		DIMENSIONS						WEIGHT			
	in.	mm	A	C	E, E1		R		lbs.	kg		
▲ 857-NRS	2½	65	33½	841	9½	238	9½	230	8¾	222	155	70
▲ 857-OSY	2½	65	33½	841	16¾	416	9½	230	8¾	222	158	72
▲ 857-NRS	3	80	34½	867	10¼	260	9½	230	8¾	222	185	84
▲ 857-OSY	3	80	34½	867	18¾	479	9½	230	8¾	222	185	84



Check Assemblies



Capacity

As compiled from documented Foundation for Cross-Connection Control and Hydraulic Research at the University of Southern California lab tests.

* Typical maximum system flow rate (75 feet/sec., 2.3 meters/sec.)

** UL rated flow

