

MUELLER H9505

SIZE

4", 6", 8", 10"

DESCRIPTION

This is a double check assembly. This unit was produced from approximately 1975-1989. The assembly has a cast iron check body. Check springs are contained when the covers are removed. Check seats are replaceable. A seat removal tool is needed to change the seats. The body had a painted epoxy coating to inhibit rust. The serial number is needed to order some repair parts.

BASIC REPAIR KIT

Repair kit contains all cover gaskets, rubber discs, and disc retainer bolts

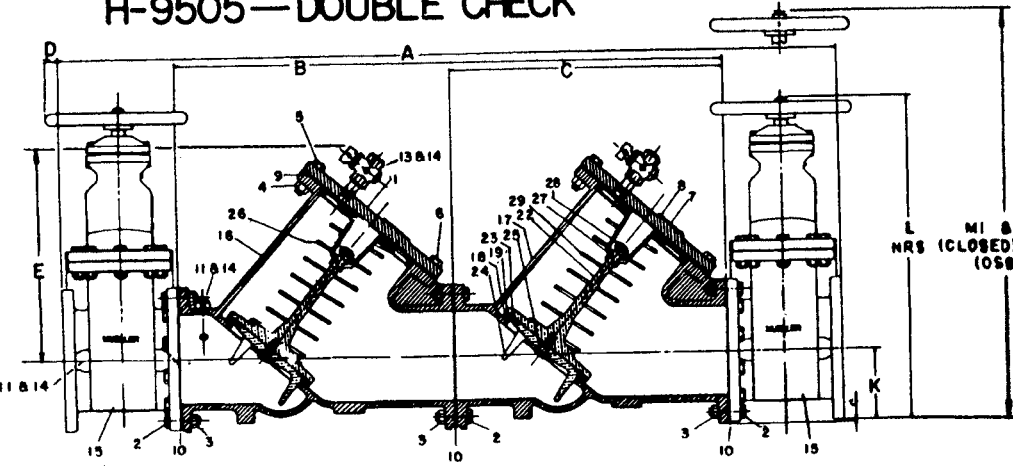
<u>SIZE</u>	<u>KIT NO</u>
4"	282424 ♦
6"	282425 ♦
8"	282426 ♦
10"	282427 ♦

IMPORTANT FEATURES

- ~Cast iron body*
- ~Painted epoxy check body coating*
- ~Contained springs*
- ~Replaceable seats*
- ~Factory repair information available*



H-9505 — DOUBLE CHECK



- 1 cover
- 2 bolt
- 3 nut
- 4 nut
- 5 bolt
- 6 bolt
- 7 nameplate
- 8 nameplate screw
- 9 gasket
- 10 gasket
- 11 nipple
- 13 nipple
- 14 test cock
- 15 shut off
- 16 #1 body
- 17 #2 body
- 18 o'ring
- 19 seat
- 22 disc holder
- 23 disc
- 24 guide
- 25 bolt
- 26 #1 ck spring
- 27 spring retainer
- 28 nut
- 29 #2 ck spring

M1 & M2
NRS (CLOSED) (OPEN)
(OSBY)

DIMENSION	SIZE			
	4"	6"	8"	10"
A	55.19	64.19	80.19	88.19
B	37.06	43.06	57.06	62.06
C	18.50	21.50	26.50	31.00
D	1.00	1.25	1.25	1.50
E	13.19	15.81	18.50	21.47
F	10.85	11.90	13.03	13.78
G	7.66	8.73	9.86	10.60
H	14.53	14.53	14.53	14.53
J	.25	.25	.25	.25
K	4.50	5.50	6.75	8.00
L	20.81	25.62	30.00	36.38
M1	26.22	32.00	39.94	47.12
M2	30.84	38.66	48.69	57.88

ALL DIMENSIONS IN INCHES

