

ROCKWELL 711

SIZE

1 1/2", 2", 2 1/2", 3", 4", 6"

DESCRIPTION

The Rockwell 711 is a double check assembly. It was produced from approximately 1972 to 1978. It is a bronze body unit. Check seats were replaceable. Check springs were not contained when the check covers were removed. Most internal hardware parts are made of bronze.

BASIC REPAIR KIT

The repair kit contains all rubber discs, gaskets, O'rings, rollers, and washers.

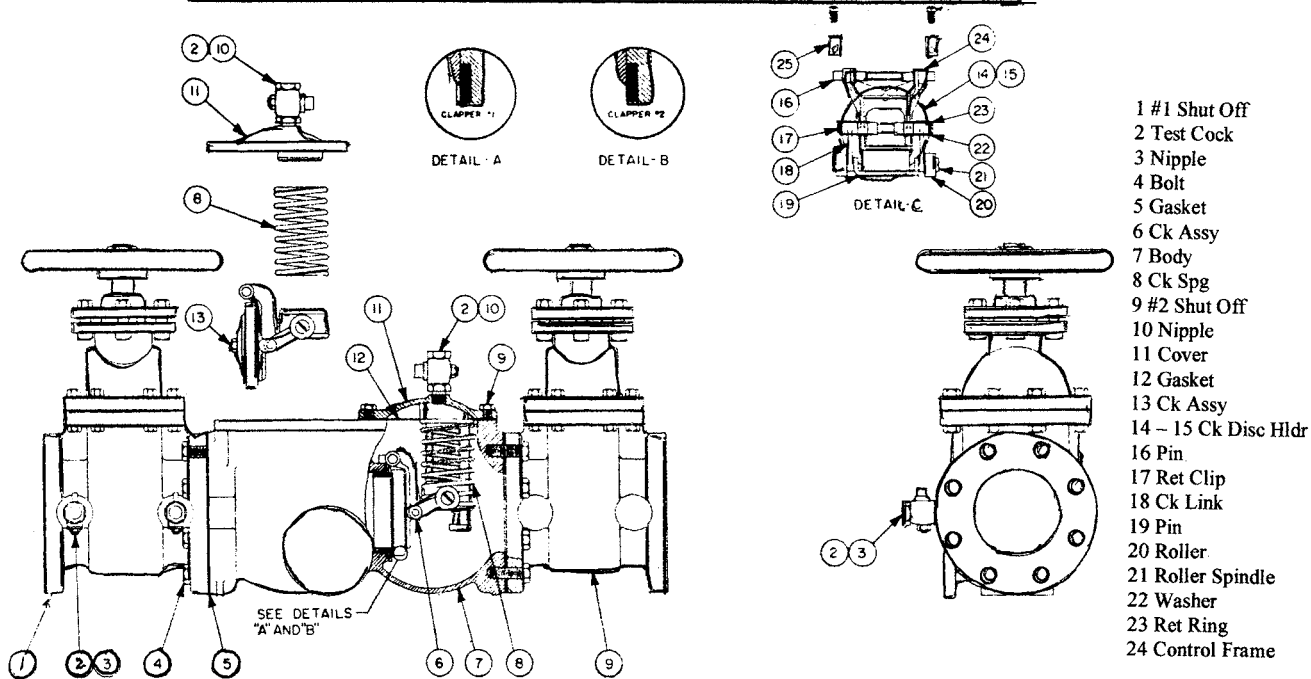
<u>SIZE</u>	<u>KIT NO</u>
1 1/2"	711-204 * ◆
2"	711-204 * ◆
2 1/2"	711-304 * ◆
3"	711-304 * ◆
4"	711-404 * ◆
6"	711-604 * ◆

IMPORTANT FEATURES

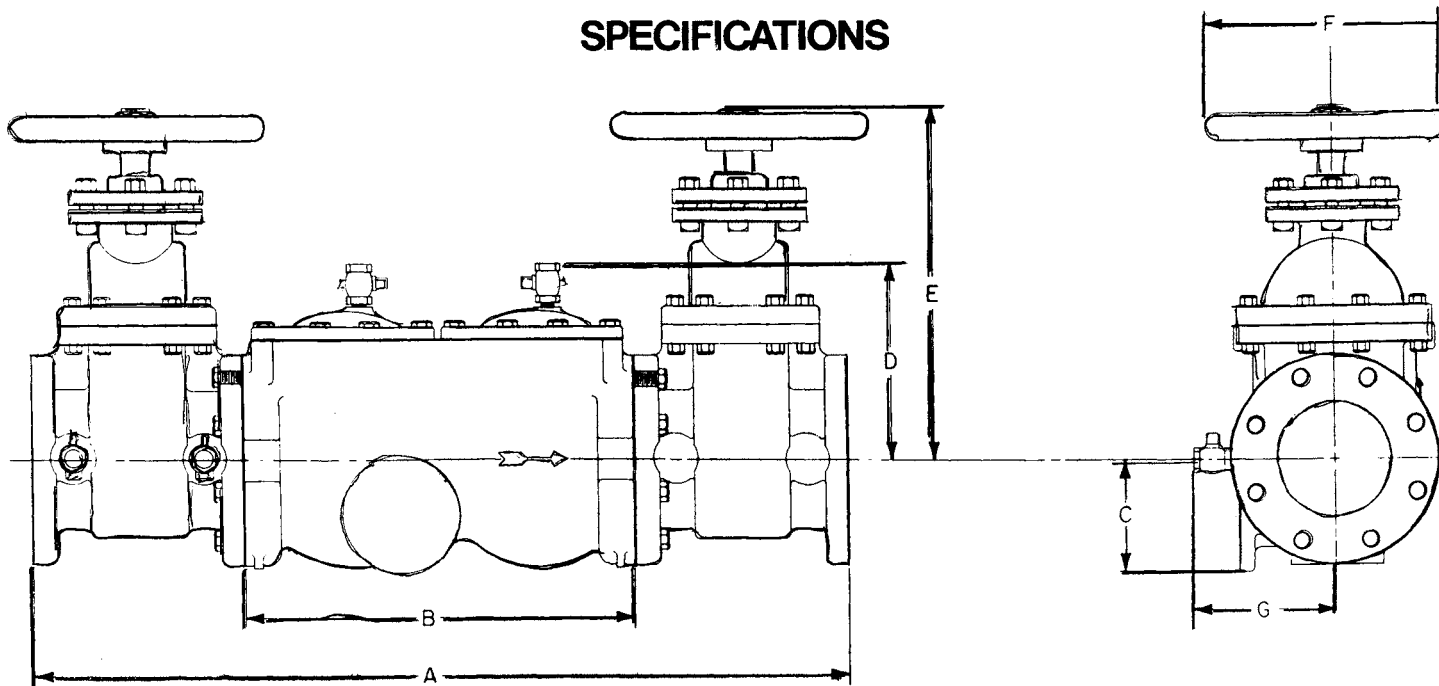
- ~ *Bronze body*
- ~ *Replaceable seats*
- ~ *Springs are not contained*
- ~ *Factory repair information available*



ROCKWELL "DOUBLE CHECK"



SPECIFICATIONS



SIZE (IN.)	1½	2	2½	3	4	6	8	10
A	25¼	30¼	35					
B	11	14	16¾					
C	3¾	3¾	4¾					
D	6½	8	9¼					
E	11	12¾	15½					
F	6	8	11					
G	5	5¾	6½					
WT. WITHOUT VALVES (LB.)	50	95	135					
WT. WITH VALVES (LB.)	125	240	355					

FLOW CHARACTERISTICS		
SIZE (IN.)	RATE (GPM.)	HEAD LOSS (PSI)
1½	100	
2	160	8.4
2½	225	
3	320	6.2
4	500	5.0
6	1000	
8	1600	
10	2300	

WORKING PRESS.—150 PSI
 HYDROSTATIC TEST PRESS.—300 PSI
 MAXIMUM TEMP.—150°F