

TORO 80-0059

TORO 9-2770

<u>SIZE</u>	<u>MODEL NO</u>
3/4"	80-0059
1"	9-2770

DESCRIPTION

These models are reduced pressure assemblies. They were produced from approximately 1969-1977. It was redesigned and replaced by the Toro Model BRP. Note there is a different model number for each size. This model uses a vertical piping configuration where water goes in the bottom and comes back down out of the bottom. The body was made of bronze. The internal check and relief assemblies are modular and are made of plastic. The check and relief valve seats are replaceable. All springs are contained when the cover is removed. The relief valve had an external RV sensing line.

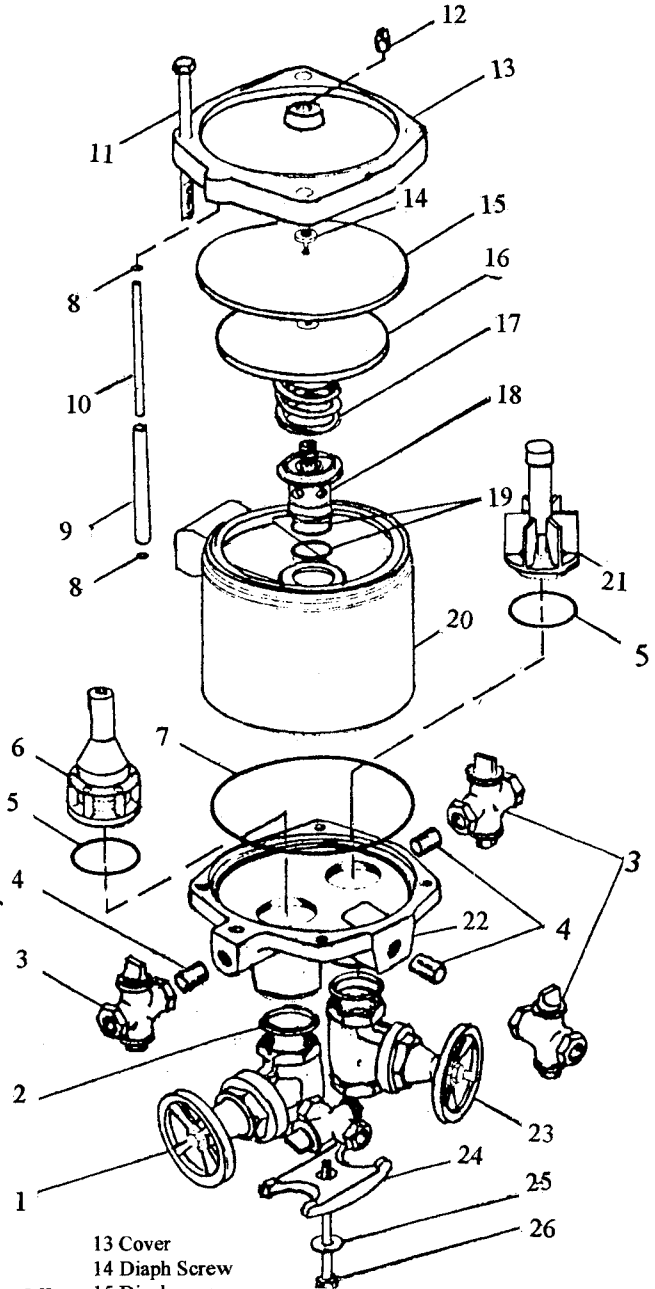
BASIC REPAIR KIT

Repair kit contains first, second, and relief valve module, diaphragm, O'rings, and diaphragm nut.

<u>SIZE</u>	<u>KIT NO</u>
3/4"-1 "	900-45 *◆

IMPORTANT FEATURES

- ~ Bronze body
- ~ Replaceable check seats
- ~ Contained spring
- ~ External relief valve sensing line



- | | |
|---------------|------------------|
| 1 #1 Shut Off | 13 Cover |
| 2 Gasket | 14 Diaph Screw |
| 3 Test Cock | 15 Diaphragm |
| 4 Nipple | 16 Diaph Support |
| 5 O'Ring | 17 RV Spring |
| 6 #1 Ck Assy | 18 RV Assy |
| 7 O'Ring | 19 O'Ring |
| 8 O'Ring | 20 Body |
| 9 Outer Tube | 21 #2 Ck Assy |
| 10 Inner Tube | 22 Body |
| 11 Bolt | 23 #2 Shut Off |
| 12 Plug | 24 Clamp |
| | 25 Washer |
| | 26 Bolt |

