

# WATTS 700

## SIZE

3/4", 1", 1 1/2", 2", 2 1/2", 3", 4"

## DESCRIPTION

This is a double check assembly. It was produced approximately from 1973 to 1985. It is an in-line modular check design. Check seats were replaceable. Springs were contained when the assembly was disassembled but had to be release for proper repair. The 3/4"-2" size assembly had to be removed from the piping to be repaired.

## BASIC REPAIR KIT

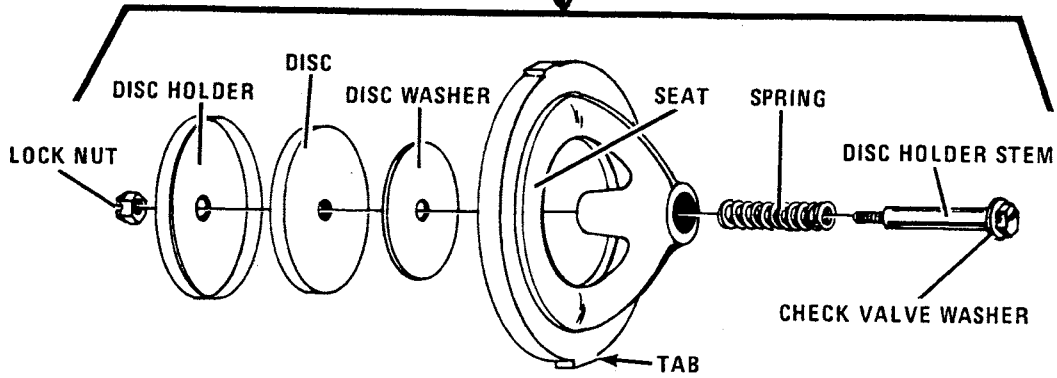
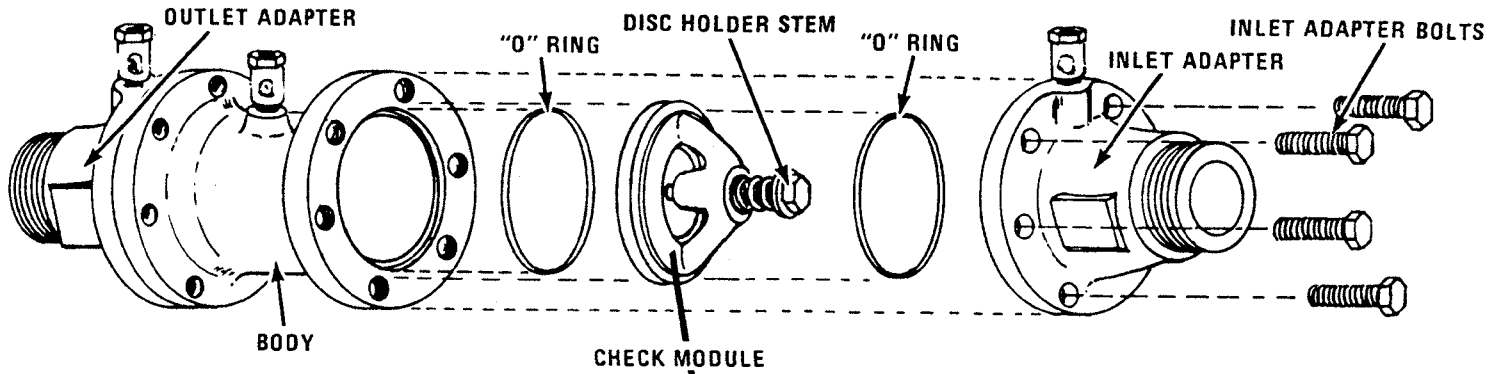
Repair kit contains all rubber discs, gasket, and O-rings

<u>SIZE</u>	<u>KIT NO</u>
3/4"	1BFPRK ♦
1"	2BFPRK ♦
1 1/2"	3BFPRK
2"	3BFPRK
2 1/2"	7BFPRK
3"	7BFPRK
4"	8BFPRK

## IMPORTANT FEATURES

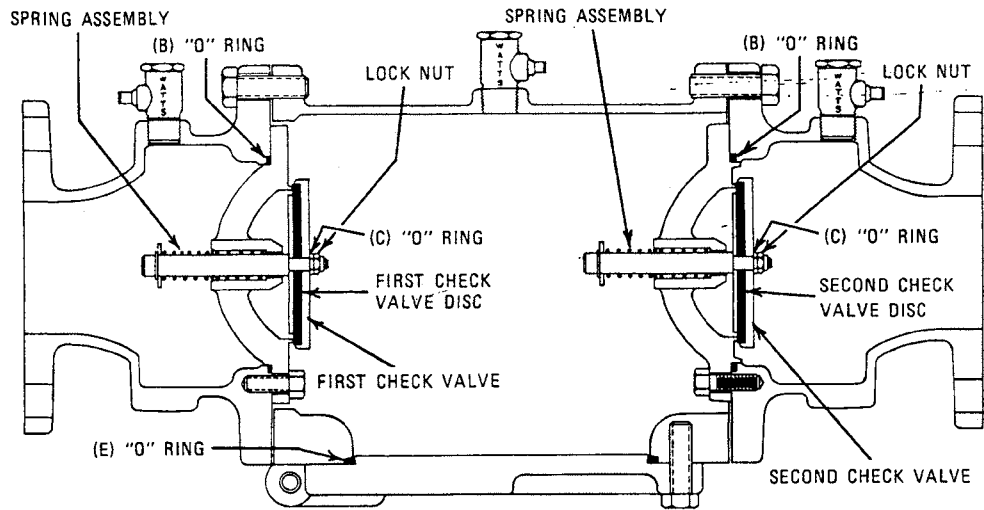
- ~Replaceable seats*
- ~Contained spring*
- ~3/4"-2" not in-line repairable*





Sizes - 3/4" thru 2"

# Series 700 DOUBLE CHECK VALVE ASSEMBLY



2 1/2" - 4"

