

WILKINS 420

SIZE

3/4", 1"

DESCRIPTION

This is a pressure vacuum breaker assembly. Production began in 1998. The body is made of bronze. The test cocks are mounted on the ball valves not the body. The air inlet float utilizes a rubber fold not a spring to generate the air inlet loading. The float also contains a relief valve to protect against damage from freezing. The check is a modular design with a contained spring and replaceable check seat.

BASIC REPAIR KIT

The repair kit contains check assembly, float assembly, and O-ring.

<u>SIZE</u>	<u>KIT NO</u>
3/4"	RK34-420
1"	RK1-420

IMPORTANT FEATURES

~No air inlet spring

~Modular check

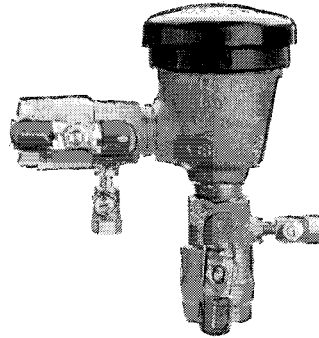
~Factory repair information enclosed



MODEL 420

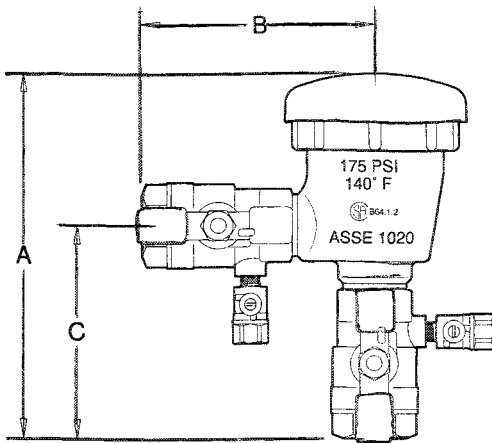
MATERIALS

- Main valve body — Cast Bronze ASTM B584
- Elastomers — Silicone (FDA approved)
Buna Nitrile (FDA approved)
- Polymers — Polypropylene (FDA approved)
Delrin™ (NSF Listed)
Noryl™ (NSF Listed)
- Springs — Stainless steel, 300 series
- Maximum working water pressure — 175 PSI
- Maximum working water temperature — 140°F
- Hydrostatic test pressure — 350 PSI
- End connections — Threaded ANSI
R1 20 1



MODEL 420

- Built-in relief valve reduces the risk of valve damage under freezing conditions
- In case of an unexpected temperature drop, the relief valve senses pressure build-up allowing the valve to relieve water, preventing damage to valve body and internal parts. As temperature rises, the relief valve resets and the 420 resumes backflow prevention function
- Designed for use under continuous pressure
- All bronze body and corrosion-resistant internal parts
- Drop-in replaceable seat
- Replaceable thermoplastic modular cartridge allows effortless repair and maintenance
- Incorporates an elastomeric spring for the atmospheric vent, thereby increasing valve reliability



DIMENSIONS & WEIGHTS

SIZE	DIMENSIONS (in.)			WEIGHT (lbs.)
	A	B	C	
1/2"	6.4	4.0	3.6	3
3/4"	6.7	4.2	3.8	4
1"	7.9	4.9	4.5	5

