

WILKINS 950 DA

SIZE

2 1/2", 3", 4", 6", 8", 10"

DESCRIPTION

This is a double check detector assembly. Production began in 1991 and was discontinued in 2004. The main unit utilizes an assembly similar to the 950. The bypass unit used is either the 950 or the 950XL. Look on the tag to verify which you have.

BASIC REPAIR KIT

The mainline repair kit contains all rubber discs and O-rings

<u>SIZE</u>	<u>KIT NO</u>
2 1/2"-3"	RK212-950
4"	RK4-950
6"	RK6-950
8"	RK8-950
10"	RK10-950

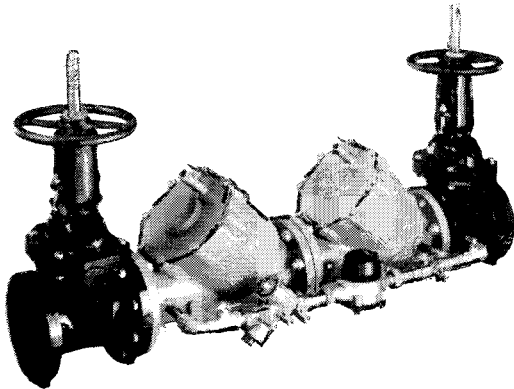
Bypass repair kit contains all rubber discs and O-rings

<u>SIZE</u>	<u>KIT NO</u>
3/4" 950	RK34-950R
3/4" 950 XL	RK34-950XLR

IMPORTANT FEATURES

- ~Mainline assembly see Wilkins 950
- ~Bypass assembly see Wilkins 950
- ~Factory repair information enclosed



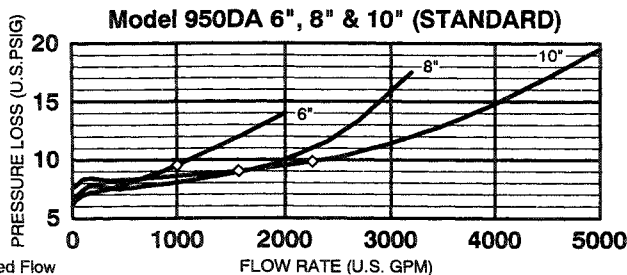
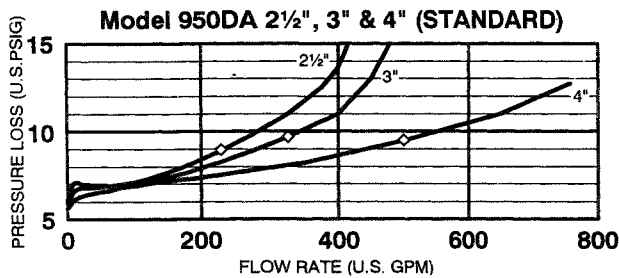


FEATURES

Sizes: □ 2½" □ 3" □ 4" □ 6" □ 8" □ 10"

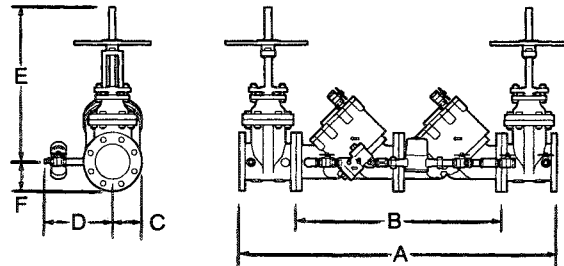
Maximum working water pressure — 175 PSI
 Maximum working water temperature — 140°F
 Hydrostatic test pressure — 350 PSI
 End connections — Flanged ANSI B16.1 Class 125

FLOW CHARACTERISTICS



MATERIALS

Main valve body — Cast Iron ASTM A126 Class B
 Access covers — Cast Iron ASTM A126 Class B
 Coatings — FDA Approved Epoxy finish
 Internals — Stainless Steel, 300 Series
 Cast Bronze ASTM B584
 Elastomers — EPDM (FDA approved)
 Buna Nitrile (FDA approved)
 Silicone (FDA approved)
 Polymers — Noryl™ (NSF Listed)
 Delrin™ (NSF Listed)
 Springs — Stainless steel, 300 series



DIMENSIONS & WEIGHTS

SIZE	DIMENSIONS (inches)						WEIGHT (lbs.)		
	A	B WITHOUT GATE VALVES	C	D	E OS&Y GATE VALVE OPEN	F OS&Y GATE VALVE CLOSED	WITHOUT GATE VALVES	WITH OS&Y GATE VALVES	
2 1/2"	37.12	22.00	4.00	10.00	16.00	14.00	4.00	178	278
3"	38.12	22.00	4.00	10.00	20.00	16.00	4.00	178	288
4"	50.25	32.12	5.00	10.00	23.00	19.00	5.00	396	566
6"	62.00	41.00	6.00	14.00	31.00	25.00	6.00	629	907
8"	71.12	48.00	7.50	16.00	39.00	30.00	7.50	1184	1612
10"	84.12	58.00	9.00	18.00	46.00	36.00	9.00	1512	2204