

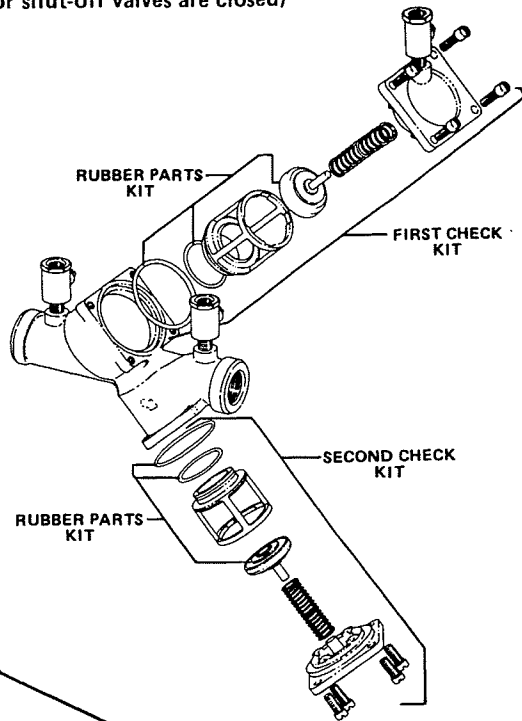
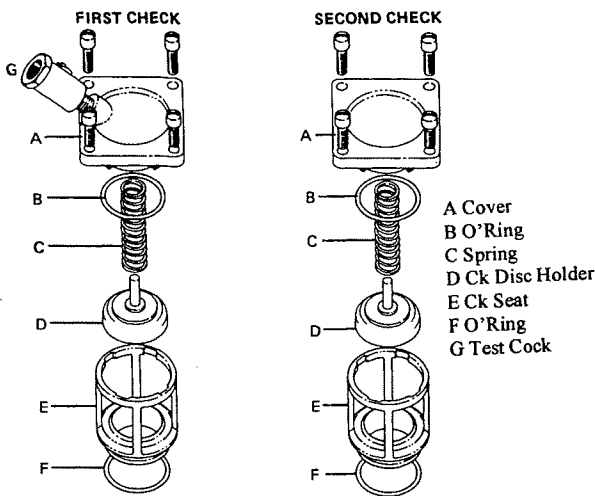
# 709 - 3/4 - 2"

## FIRST and SECOND CHECKS 3/4" - 2" Sizes

1. After removing the cover screws, the check comes out with the cover.
2. Holding the check valve module in both hands, rotate the assembly 1/4 turn. This will disengage the disc and spring assembly into individual components. The disc assembly may be cleaned or replaced. "O" rings

should be cleaned or replaced as necessary and lightly greased with the FDA approved silicon grease. Reassemble the check valve module in the reverse order. **NOTE:** The springs of the first and second check valves are interchangeable.

(Before servicing be certain water is turned off or shut-off valves are closed)

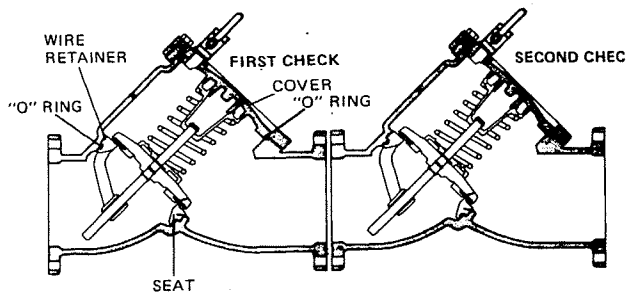


# 709 - 773 - 773DCDA 2 1/2" - 10"

## FIRST AND SECOND CHECKS 2 1/2" - 10" Sizes

1. Remove hatch cover bolts. **NOTE:** The 709 is designed so that when the bolts are backed off 1/2" all the spring load is released from the cover and retained by the check module. **CAUTION:** Be sure to verify this before removing all the bolts.
2. Lift check valve module straight out taking care not to hit and damage seat ring.
3. The seat ring may be removed and replaced by pulling out the two wire retainers. The wire retainers are 10" long. One is drawn out clockwise and the other is drawn out counter-clockwise.
4. With the retainer wires removed, the seat ring can be lifted straight up and removed.

**CAUTION:** The check valve disc and spring assembly is in compression. The spring load is captured by the two spring retainers and the stem. The spring retainers are not to be removed for servicing. If there is a need to replace the spring, spring retainer or stem, replace the disc and spring assembly. If the disc holder has been damaged by freezing or severe water hammer, it can be replaced in the field. Remove the disc holder retaining ring and slide the disc holder off the stem. Remove the "O" ring from the stem and replace with a new one. Apply grease to the "O" ring and slide the new disc holder into place. Re-install the retaining ring. **NOTE:** the disc holder should not be removed when servicing only the disc, remove allen head screws holding the disc retaining plate and replace disc.



## DISC and SPRING ASSEMBLY

