

SERVICE PROCEDURES FOR MODELS 830 AND 831 (2½" - 10")

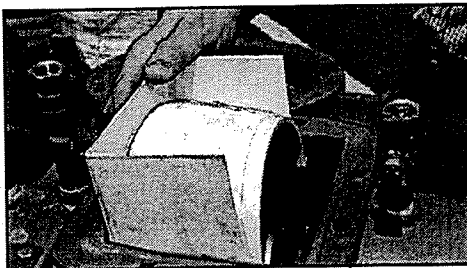
Check Module Removal

(See pg 7-84 for Detail Drawings)

1. Slowly close outlet shut-off valve and inlet shut-off valve. Bleed residual pressure by opening #4, #3, and #2 testcocks.
2. Remove cover bolts and cover (items 12 and 28).
3. Remove spacer (item 2), and flow insert (item 18).

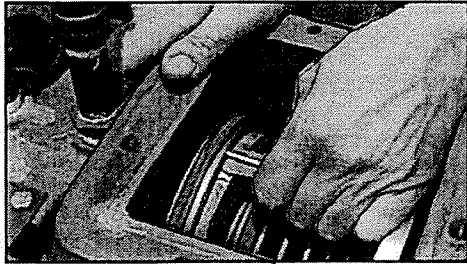


Spacer Removal



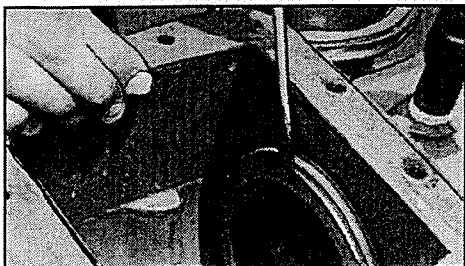
Flow Insert Removal

4. Remove the first check by sliding the module downstream to free the seat ring from the valve body.



First Check Removal

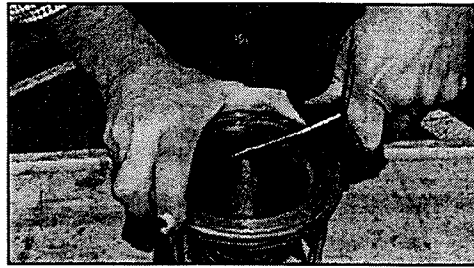
5. Remove the second check by using a flat screwdriver in the small groove in the edge of the seat ring to free the seat ring from the valve body. Be careful not to damage the o-ring.



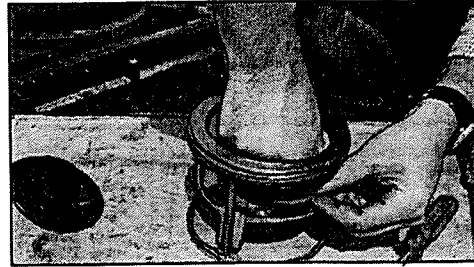
Check Disc Removal/Replacement

(See pg 7-84 for Detail Drawings)

1. With the check module removed from the body, hold the module securely with the disc retainer cone (item 7) facing upward. Using a large flat head screwdriver remove the disc retainer by rotating it counter clockwise. Sizes 6"-10" use an allen wrench to remove the socket head cap screws (item 8.1).



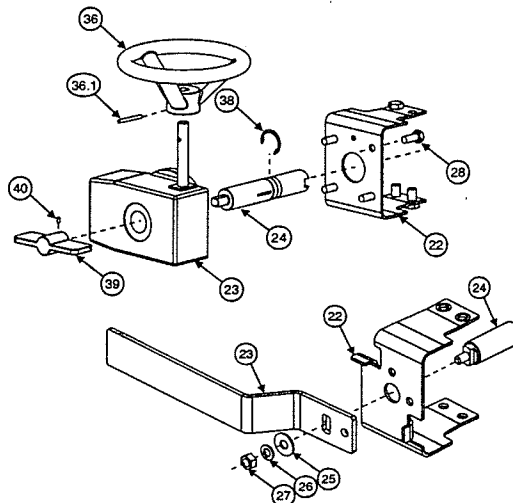
2. Depress the seat disc holder (item 8) through the center of the seat ring and while depressed, remove the seat disc (item 5) from the holder. Replace in reverse order.



Butterfly Shut-off Service and Repair

1. Follow steps 1 through 5 of Check Module Removal.
2. Same procedure applies to both inlet and outlet shut-offs. Remove the four bolts (item 28) and the operator assembly (item 23).
3. Remove the stem bushing (item 15) and stem cover (item 16), then pull out the two disk stems (item 14). Remove the disk stem o-rings (item 17).
4. Butterfly disk (item 31) may now be removed by reaching through the cover opening in the body and pulling firmly.
5. Lubricate new disks and o-rings with liberal amount of petroleum jelly (food grade) and assemble in reverse order.
6. Inspect, and if necessary replace the check module o-ring (item 10).

OPERATOR EXPLODED VIEW AND PARTS LIST



| Item | Description |
|------|----------------------|
| 22 | Mounting Bracket |
| 23 | Operator |
| 24 | Shaft |
| 25 | Flat Washer |
| 26 | Lock Washer |
| 27 | Hex Nut |
| 28 | Hex Screw (Operator) |
| 32 | Key |
| 36 | Handwheel |
| 36.1 | Handwheel Pin |
| 38 | Circular Ring |
| 39 | Position Indicator |
| 40 | Set Screw |

Some parts only available in kits.