

# **RICHWELL DC**

# **RICHWELL BF**

## **SIZE**

3/4", 1", 1 1/4", 1 1/2", 2"

## **DESCRIPTION**

This unit was produced from approximately 1975-1978. This was the first version of the Model 550 and 575. Model DC is the same as Wilkins 550. Model BF is the same as Wilkins 575. The unit was originally sold under the Richwell name then it was sold to the Neptune Co. who later sold it to Wilkins.

## **BASIC REPAIR KIT**

See Wilkins for specifications and parts.



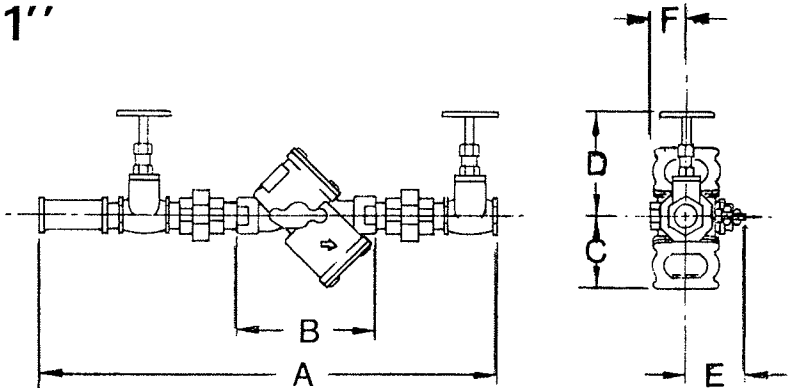
**SPECIFICATIONS**

Size	3/4" & 1"
End Detail	Screwed 150 ASA
Material	Bronze & Stainless Steel
Max. Working Pressure	150 psi
Hydrostatic Test Pressure	300 psi
Temperature Range	33° F - 110° F
Fluid	Water

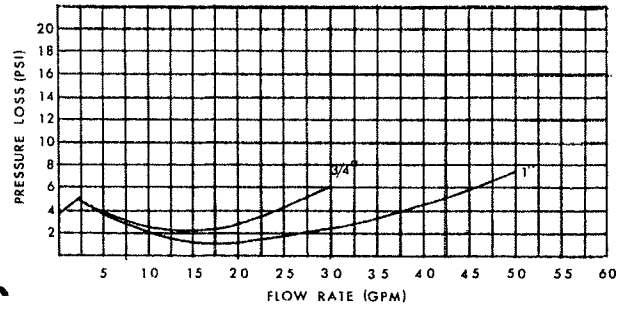
**MODEL DC**  
3/4" - 1"

**DIMENSIONS**

Size	3/4"	1"
End Detail	Scr.	Scr.
A	20 3/4	21 1/4
B	7 3/4	6 5/8
C	3 1/2	3 1/2
D	4	4 3/4
E	3 1/4	3 1/2
F	1 7/8	1 7/8



**FLOW CHART**



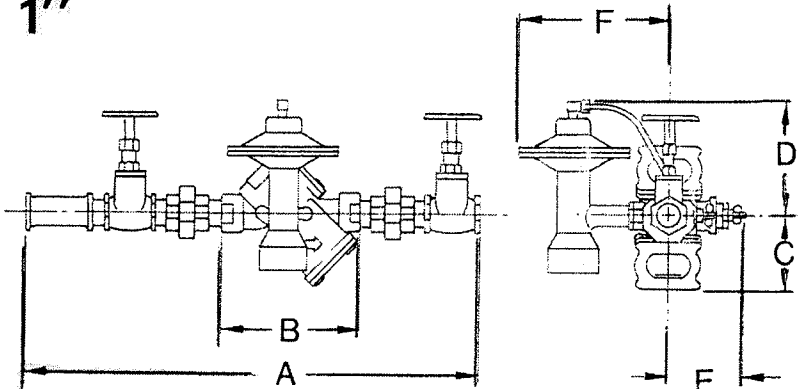
**SPECIFICATIONS**

Size	3/4" & 1"
End Detail	Screwed 150 ASA
Material	Bronze & Stainless Steel
Max. Working Pressure	150 psi
Hydrostatic Test Pressure	300 psi
Temperature Range	33° F - 110° F
Fluid	Water

**MODEL BF**  
3/4" - 1"

**DIMENSIONS**

Size	3/4"	1"
End Detail	Scr.	Scr.
A	20 3/4	21 1/4
B	7 3/4	6 5/8
C	3 1/2	3 1/2
D	5	5
E	3 1/4	3 1/2
F	7	7



**FLOW CHART**

