

ROCKWELL 701

SIZE

1 1/2", 2", 2 1/2", 3", 4", 6"

DESCRIPTION

The Rockwell 701 is a reduced pressure assembly. It was produced from approximately 1972-1978. It is a bronze body unit. Check and relief valve seats are replaceable. Check springs are not contained when the check covers are removed. Most internal hardware parts are made of bronze. The unit utilized an external relief valve sensing line. The relief valve could be removed from the check body.

BASIC REPAIR KIT

The repair kit contains all rubber discs, gaskets, O'rings, rollers, belloframs, and washers.

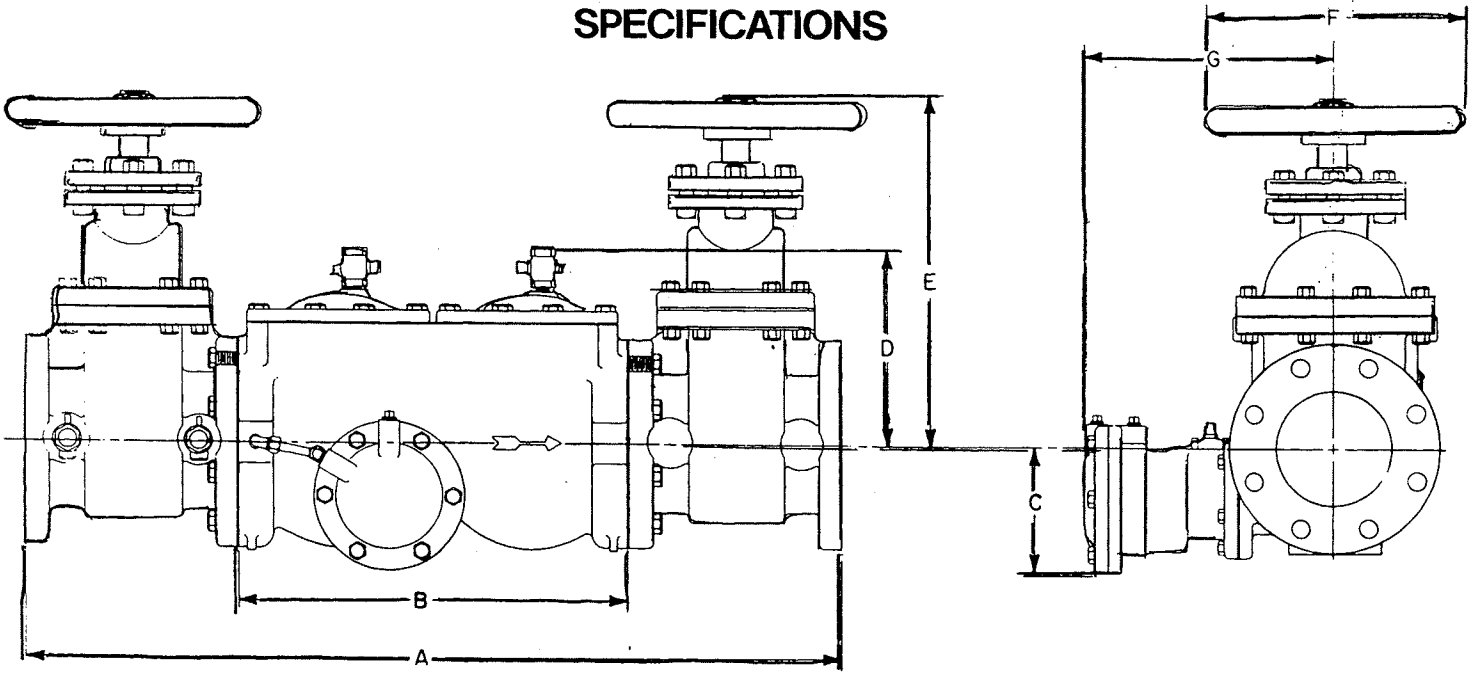
| <u>SIZE</u> | <u>KIT NO</u> |
|-------------|---------------|
| 1 1/2" | 701-204 *◆ |
| 2" | 701-204 *◆ |
| 2 1/2" | 701-304 *◆ |
| 3" | 701-304 *◆ |
| 4" | 701-404 *◆ |
| 6" | 701-604 *◆ |

IMPORTANT FEATURES

- ~ *Bronze body*
- ~ *Replaceable seats*
- ~ *Check springs are not contained*
- ~ *External RV sensing line*
- ~ *Detachable relief valve*
- ~ *Factory repair information available*



SPECIFICATIONS

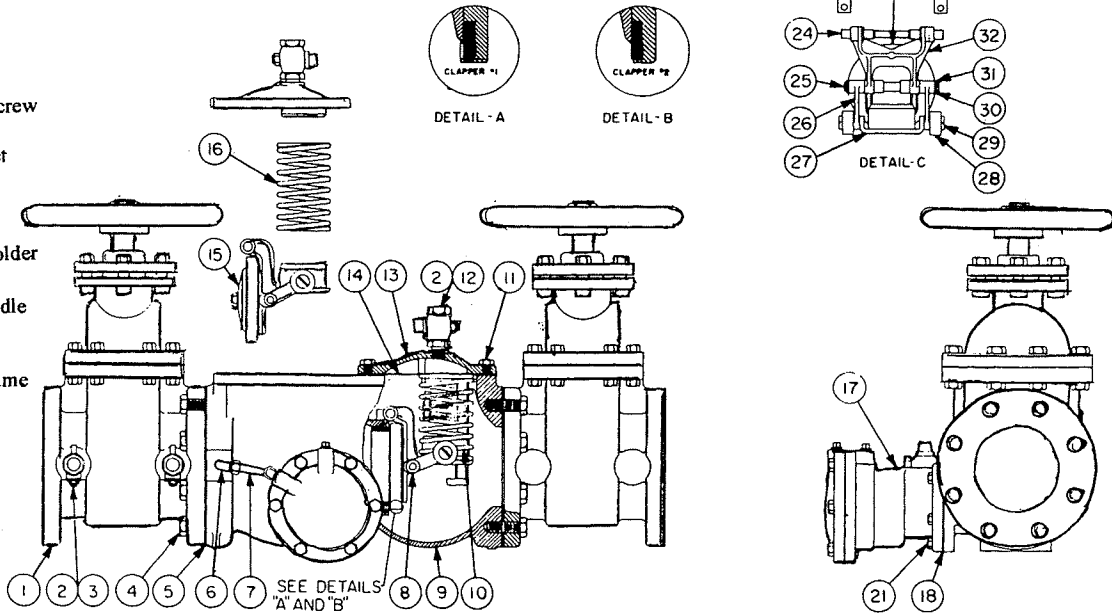


| SIZE (IN.) | 1½ | 2 | 2½ | 3 | 4 | 6 | 8 | 10 |
|--------------------------|----|-----|----|-----|-----|---|---|----|
| A | | 25¼ | | 30¼ | 35 | | | |
| B | | 11 | | 14 | 16½ | | | |
| C | | 3¾ | | 4½ | 5½ | | | |
| D | | 6½ | | 8 | 9¼ | | | |
| E | | 11 | | 12¾ | 15½ | | | |
| F | | 6 | | 8 | 11 | | | |
| G | | 7½ | | 10¼ | 10¾ | | | |
| WT. WITHOUT VALVES (LB.) | | 60 | | 110 | 155 | | | |
| WT. WITH VALVES (LB.) | | 135 | | 255 | 375 | | | |

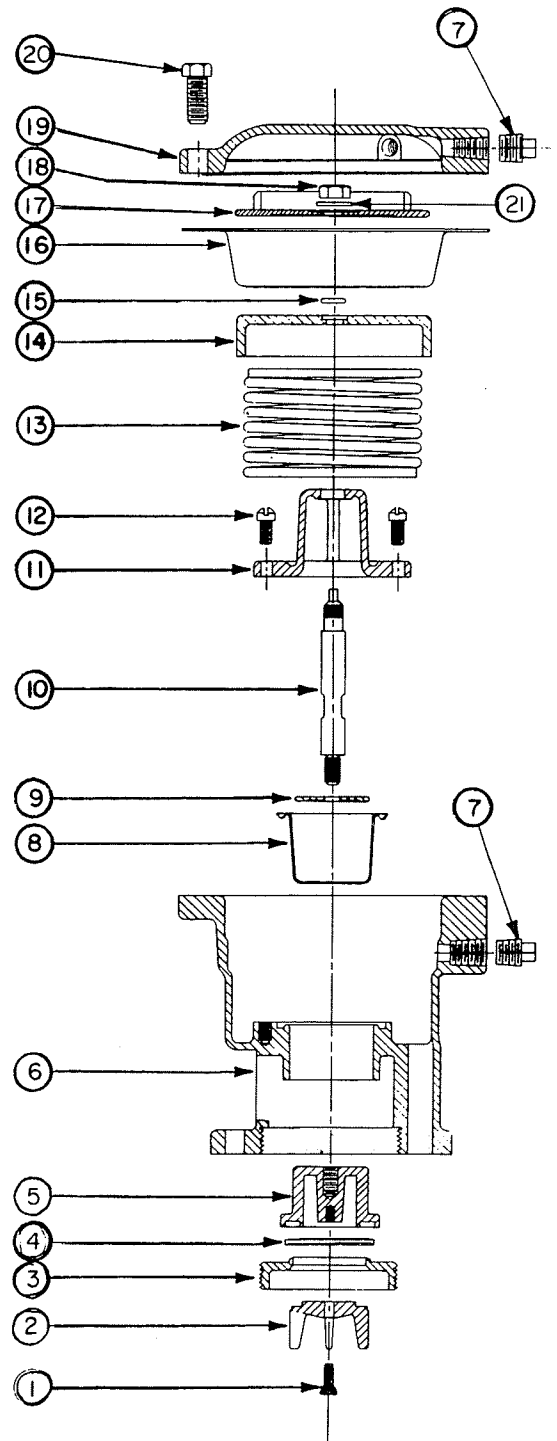
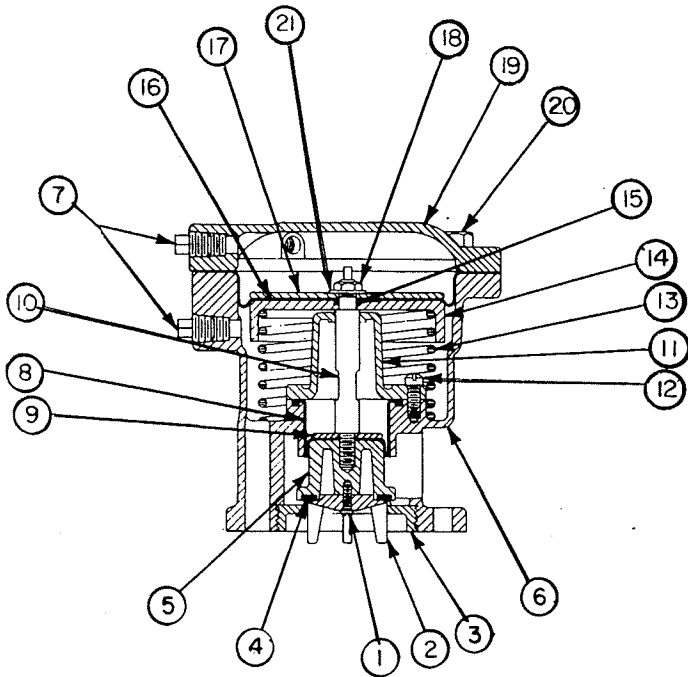
| FLOW CHARACTERISTICS | | |
|----------------------|-------------|-----------------|
| SIZE (IN.) | RATE (GPM.) | HEAD LOSS (PSI) |
| 1½ | 100 | |
| 2 | 160 | 11.0 |
| 2½ | 225 | |
| 3 | 320 | 11.1 |
| 4 | 500 | 9.9 |
| 6 | 1000 | |
| 8 | 1600 | |
| 10 | 2300 | |

WORKING PRESSURE—150 PSI
 HYDROSTATIC TEST PRESS.—300 PSI
 MAXIMUM TEMP.—150°F

- 1 Shut Off
- 2 Nipple
- 3 Test Cocks
- 4 Bolt
- 5 Gasket
- 6 Fitting
- 7 RV Sensing Line
- 8 Ck Assy
- 9 Ck Body
- 10 Ck Spring
- 11 Bolt
- 12 Test Cock
- 13 Ck Cover
- 14 Ck Cover Gskt
- 15 Ck Assy
- 16 Ck Spring
- 17 RV Assy
- 18 Gasket
- 19 Ret Plate
- 20 Ret Plate Screw
- 21 Bolt
- 22 -23 Spg Ret
- 24 Pin
- 25 Pin
- 26 Ck Link
- 27 Ck Disc Holder
- 28 Roller
- 29 Roller Spindle
- 30 Washer
- 31 Ret Ring
- 32 Control Frame



DIFFERENTIAL PRESSURE RELIEF VALVE



| ITEM | REQ. | NAME | ITEM | REQ. | NAME |
|------|------|---------------------|------|------|----------------|
| 1 | 1 | CLAMPING RING SCREW | 13 | 1 | SPRING |
| 2 | 1 | CLAMPING RING | 14 | 1 | PISTON |
| 3 | 1 | VALVE SEAT | 15 | 1 | "O" RING |
| 4 | 1 | FACING RING | 16 | 1 | DIAPHRAGM |
| 5 | 1 | VALVE BODY | 17 | 1 | RETAINER PLATE |
| 6 | 1 | VALVE HOUSING | 18 | 1 | JAM NUT |
| 7 | 2 | PIPE PLUG | 19 | 1 | COVER PLATE |
| 8 | 1 | DIAPHRAGM | 20 | 6 | COVER BOLT |
| 9 | 1 | RETAINER PLATE | 21 | 1 | WASHER |
| 10 | 1 | SHAFT | | | |
| 11 | 1 | SHAFT GUIDE | | | |
| 12 | 4 | SHAFT GUIDE SCREW | | | |

ROCKWELL 711

SIZE

1 1/2", 2", 2 1/2", 3", 4", 6"

DESCRIPTION

The Rockwell 711 is a double check assembly. It was produced from approximately 1972 to 1978. It is a bronze body unit. Check seats were replaceable. Check springs were not contained when the check covers were removed. Most internal hardware parts are made of bronze.

BASIC REPAIR KIT

The repair kit contains all rubber discs, gaskets, O'rings, rollers, and washers.

| <u>SIZE</u> | <u>KIT NO</u> |
|-------------|---------------|
| 1 1/2" | 711-204 * ◆ |
| 2" | 711-204 * ◆ |
| 2 1/2" | 711-304 * ◆ |
| 3" | 711-304 * ◆ |
| 4" | 711-404 * ◆ |
| 6" | 711-604 * ◆ |

IMPORTANT FEATURES

~ *Bronze body*

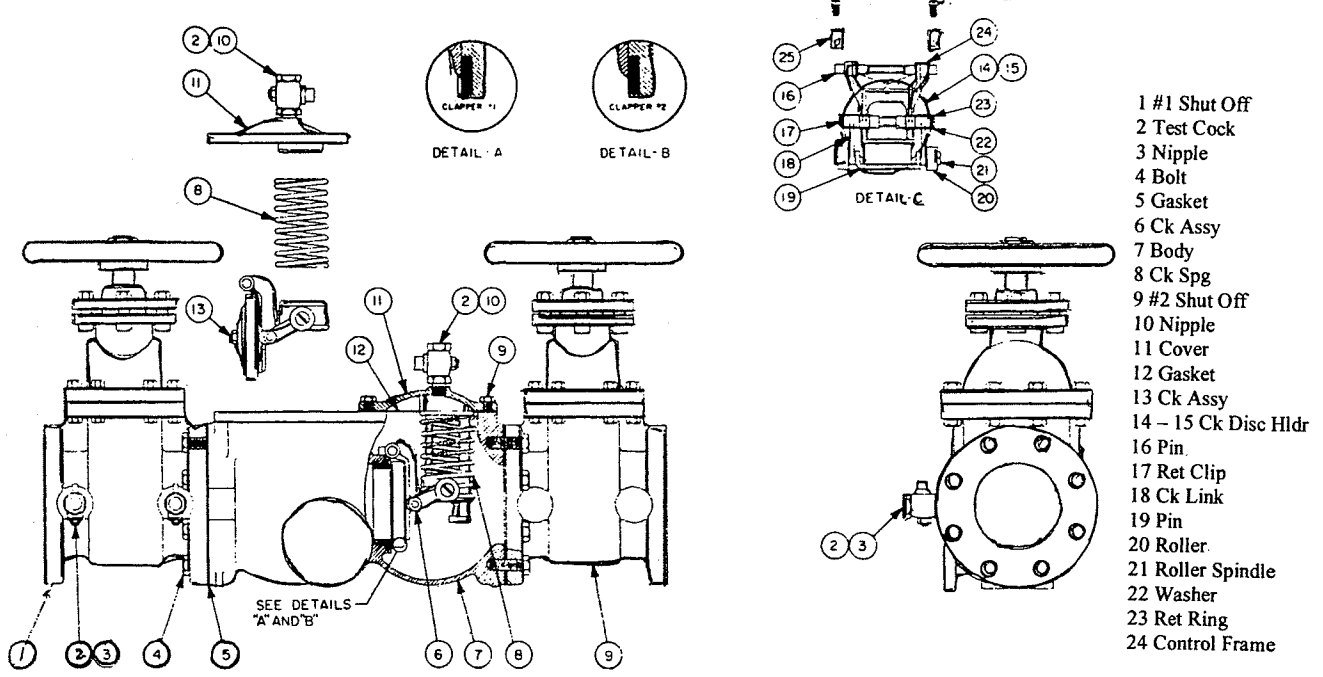
~ *Replaceable seats*

~ *Springs are not contained*

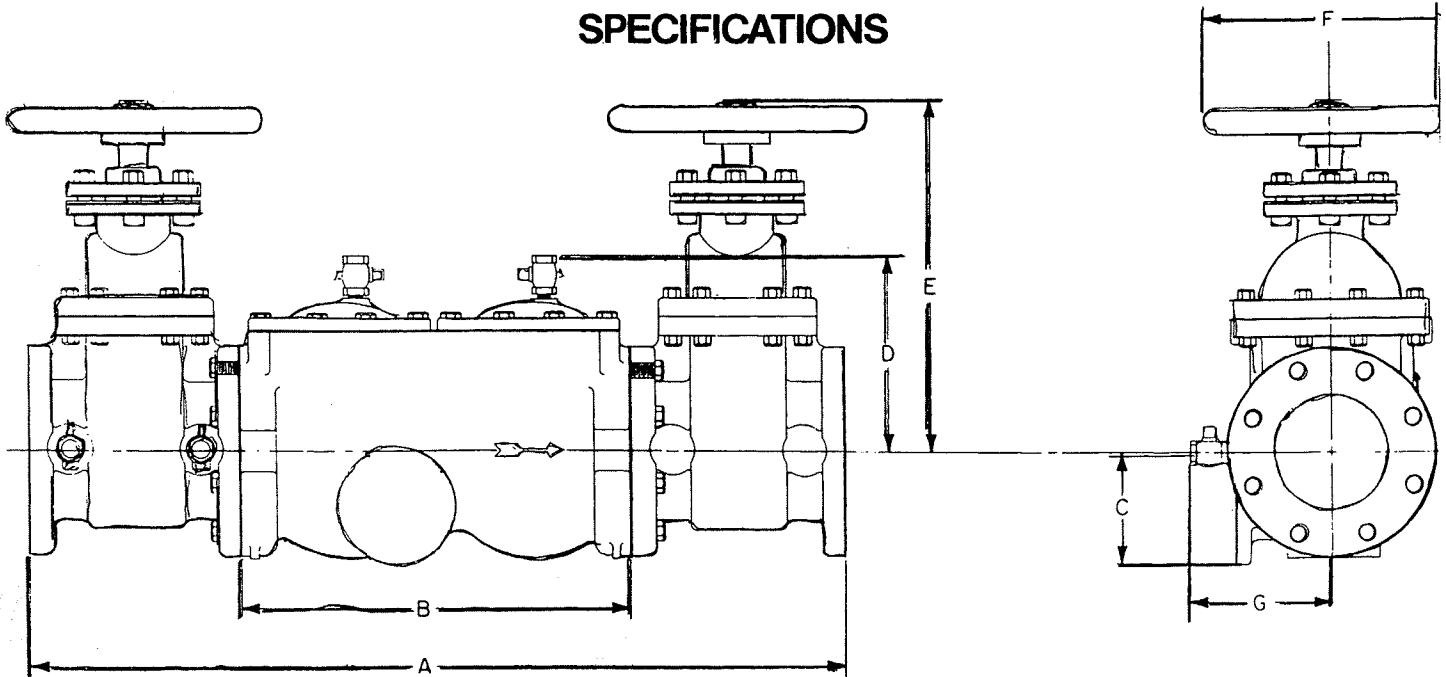
~ *Factory repair information available*



ROCKWELL "DOUBLE CHECK"



SPECIFICATIONS



| SIZE (IN.) | 1½ | 2 | 2½ | 3 | 4 | 6 | 8 | 10 |
|--------------------------|-----|---|-----|-----|---|---|---|----|
| A | 25¼ | | 30¼ | 35 | | | | |
| B | 11 | | 14 | 16½ | | | | |
| C | 3¾ | | 3¾ | 4¾ | | | | |
| D | 6¾ | | 8 | 9¼ | | | | |
| E | 11 | | 12¾ | 15½ | | | | |
| F | 6 | | 8 | 11 | | | | |
| G | 5 | | 5¾ | 6½ | | | | |
| WT. WITHOUT VALVES (LB.) | 50 | | 95 | 135 | | | | |
| WT. WITH VALVES (LB.) | 125 | | 240 | 355 | | | | |

| FLOW CHARACTERISTICS | | |
|----------------------|-------------|-----------------|
| SIZE (IN.) | RATE (GPM.) | HEAD LOSS (PSI) |
| 1½ | 100 | |
| 2 | 160 | 8.4 |
| 2½ | 225 | |
| 3 | 320 | 6.2 |
| 4 | 500 | 5.0 |
| 6 | 1000 | |
| 8 | 1600 | |
| 10 | 2300 | |

WORKING PRESS.—150 PSI
 HYDROSTATIC TEST PRESS.—300 PSI
 MAXIMUM TEMP.—150°F