

# ARI VB-500 /VB-501

## SIZE

1/2", 3/4", 1"

## DESCRIPTION

This is a pressure vacuum breaker. Production began in 2016. The body is made of an UV resistant glass reinforced nylon. The check and air inlet are a modular design. The model VB-500 comes with lead free bronze shutoffs. The model VB-501 comes with union end nylon body shutoffs.

## BASIC REPAIR KIT

The kit contains the check and air inlet modules

### SIZE

1/2"-1"

### KIT NO

0466-PVB kit

## IMPORTANT FEATURES

~ *Plastic body construction*

~ *Plastic shutoffs available*

~ *Factory repair information enclosed*

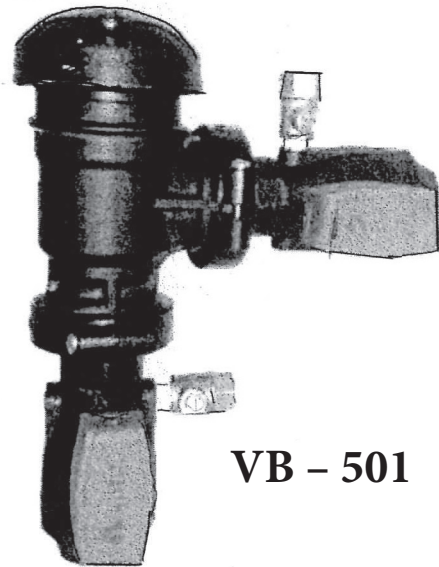


# PVB VB-500

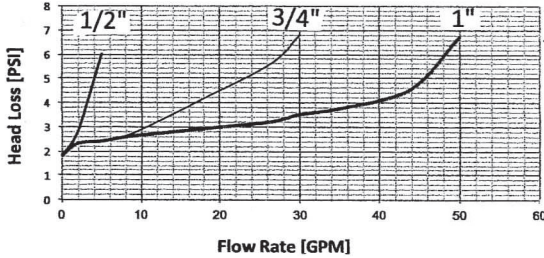


## Features Sizes: 1/2", 3/4", 1"

- Maximum working water pressure - 175 PSI / 12.5 BAR
- Maximum working water temperature - 140°F / 60° C
- Hydrostatic test pressure - 300 PSI / 21 BAR
- End connections threaded NPT -ANSI B1.20.1



**VB - 501**

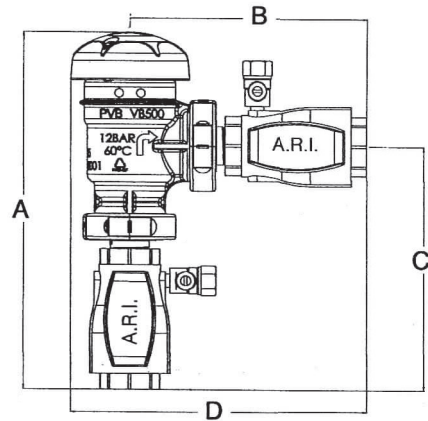


### Size with Composite Valves VB - 501

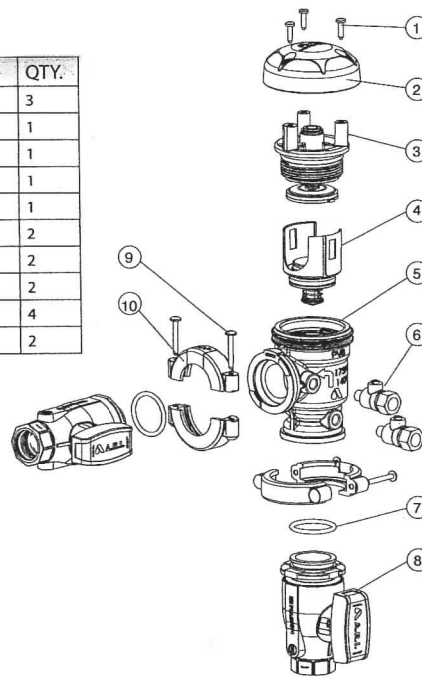
Size	Dimensions [in.]				Weight [LB]
	A	B	C	D	
0.75"	9.92	6.50	6.77	8.11	2.12
1"	10.59	7.56	7.44	8.82	2.43

### Size with Brass Valves VB - 500

Size	Dimensions [in.]				Weight [LB]
	A	B	C	D	
0.5"	7.99	4.61	4.84	6.22	3.52
0.75"	8.27	4.72	4.92	6.42	3.75
1"	9.21	5.79	6.02	7.44	3.97



ITEM	PART	MATERIAL	QTY.
1	Cover Bolts	STST 304	3
2	Cover	PP	1
3	Vent Assy.	*	1
4	Check Valve Assy.	**	1
5	Body	Reinforced PA	1
6	Test Cock	Brass	2
7	O-ring	NBR	2
8	Ball Valve	Reinforced PA	2
9	Band Bolts	STST 304	4
10	Band Assy.	Reinforced PA	2



*Vent Assembly			
1.1	Seat	Reinforced PA	1
1.2	Piston	Acetal	1
1.3	Seal	EPDM	1
1.4	Sleeve	Reinforced PA	1
1.5	Plug	Acetal	2
1.6	Spring	AISI 302	1

**Check Valve Assembly			
2.1	Seat	Acetal	1
2.2	Seal	EPDM	1
2.3	O-ring	NBR	3
2.4	Spring	AISI 302	1
2.5	Piston	Acetal	1

A.R.I. USA, Inc. A.R.I. FLOW CONTROL ACCESSORIES Ltd. [www.arius.com](http://www.arius.com) [arius@arius.com](mailto:arius@arius.com) Tel: 877-536-6201

A.R.I. FLOW CONTROL ACCESSORIES Ltd. reserves the right to make product changes without prior notice. To insure receiving updated information on parts specifications, please call the export dept. at the A.R.I. factory. A.R.I. FLOW CONTROL ACCESSORIES Ltd. shall not be held liable for any errors. All rights reserved.