

# AMES 5001 SS

## SIZE

3", 4", 6"

## DESCRIPTION

This is a reduced pressure principle detector assembly. Production began in 2000 and was discontinued in 2003. In 1997 the Ames Company was purchased by Watts Regulator Company. Ames began marketing the Watts 995RPDA as the Ames 5001SS. For repair information see the Watts model 995RPDA. The mainline assembly is similar to the Ames 4001SS. The bypass assembly can be either the Ames 4001, Ames 4000B 3/4", or the Ames 4000BM3 3/4".

## BASIC REPAIR KIT

Mainline repair kit contains discs, diaphragm, and O-rings

### SIZE

3"-4"

6"

### KIT NO

4001SSRT300 ◆

4001SSRT600 ◆

Bypass repair kit contains discs, diaphragm, and O-ring

### SIZE

3/4" 4001

3/4" 4000B

3/4" 4000BM3

### KIT NO

995-RT050

009M2-RT075

009M3-RT075

## IMPORTANT FEATURES

~See *Watts 995RPDA*

~Repairable modular construction



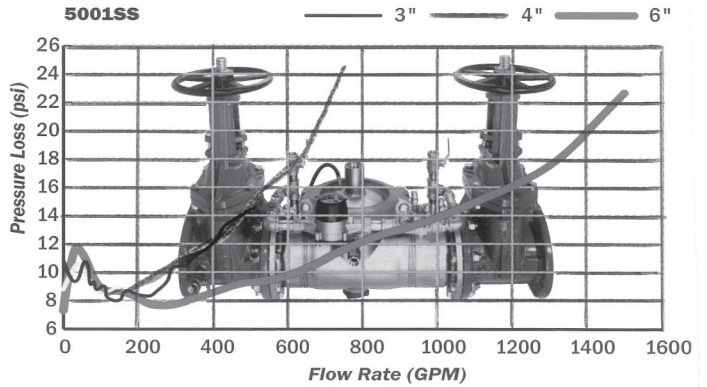
# Reduced Pressure Principle 5001SS Detector Assembly

## Physical Characteristics

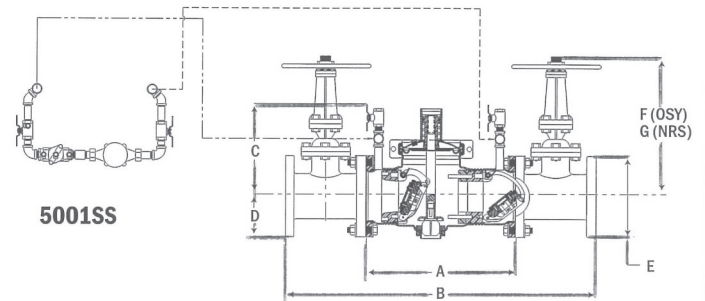
- Sizes: 3", 4" & 6"
- Rated working pressure: 175psi
- Temperature range: 32° F to 140° F
- Flange dimension in accordance with AWWA Class D
- All internal metal parts: 300 series stainless steel
- Construction: 300 series stainless steel

## Features

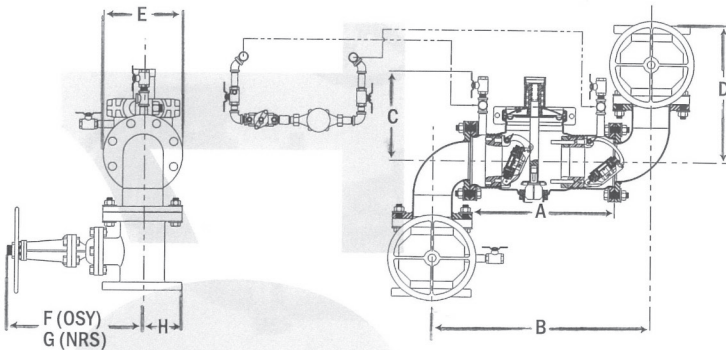
- Detects leaks or unauthorized use of water
- 60% lighter and 40% shorter than other manufacturer's assembly
- Stainless steel, one-piece body is lead free, requires no coatings
- Dia-Seal™ Relief Valve assembly improves performance, utilizes fewer parts, reduces maintenance time and cost
- Lowest documented flow loss in the industry
- Enhanced cam-check assembly utilizes a spring-loaded center-loaded check to radically improve seating consistency and reduce replacement part costs
- Flanged, in-line "N" & "Z" configurations
- Excellent for retrofit



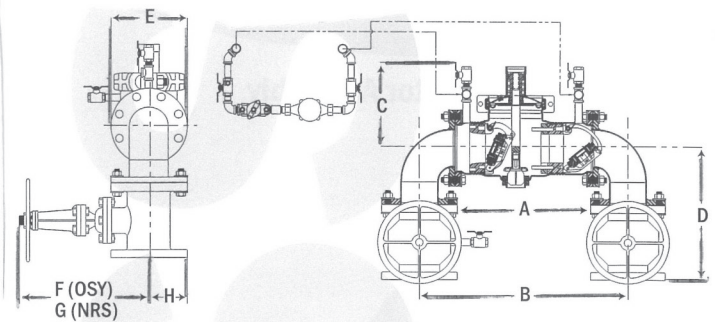
Ames 5001SS - Weights & Dimensions



Size	A in.	B in.	C in.	D in.	E in.	F in.	G in.	Weight	Weight
								w/Gates lbs.	w/o Gates lbs.
3	20	36.125	13.25	3.75	7.5	18.875	12.375	205	58
4	16.5	34.625	13.25	4.5	9	22.75	14.75	270	57
6	22.5	43.625	15	5.5	11	30.125	19	420	99



5001SSZ with NRS/OSY Gates



5001SSN with NRS/OSY Gates

Size	A	B	C	D	E	F	G	H	Weight	Weight
in.	in.	in.	in.	in.	in.	in.	in.	in.	w/gates*	w/o gates
3	20	29-5/8	13-1/4	12-13/16	7-1/2	18-7/8	12-3/8	3-3/4	241	94
4	16-1/2	25-1/8	13-1/4	15-13/16	9	22-3/4	14-3/4	4-1/2	323	110
6	22-1/2	35-1/8	15	18-5/16	11	30-1/8	19	5-1/2	503	182

\*Includes elbows