

# BACKFLOW DIRECT DERINGER 20 / 30 / G

## SIZE

2", 2 ½", 3", 4", 6", 8"

## DESCRIPTION

This is a Double check and Double check Detector Assembly. Production began in 2014 on the models 20 and 30 while production of the 20G & 30G began in 2018. The model 20 & 30 come with grooved end integral butterfly shut offs while the 20G & 30G comes with OSY flanged end shut offs. The body is a fabricated stainless steel design with a bolted single access cover. The checks are a modular design made of Noryl plastic material. The check discs are silicone rubber. The check modules are held into the body with bolts that extend from the outside of the body into a slot to hold the check modules in place. These allen head bolts have to be unscrewed to remove the check modules from the body for repair. The check uses a torsion spring design. Spring tensions does not need to be released to change the check disc. The Double check detector assembly bypass is a type 2 design with a single check piped around the mainline second check.

## BASIC REPAIR KIT

Repair kit contains check discs and O' rings

<u>SIZE</u>	<u>KIT NO</u>
2" - 4"	BFD-1140
6"	BFD-1160
8"	BFD-1180

Bypass assembly repair kit contains disc, disc holder and O' ring

<u>SIZE</u>	<u>KIT NO</u>
¾"	BFD-1010

## IMPORTANT FEATURES

*~Stainless Steel Body*

*~Integral Butterfly Shut offs*

*~Noryl Plastic Check Modules*

*~Type 2 Bypass*

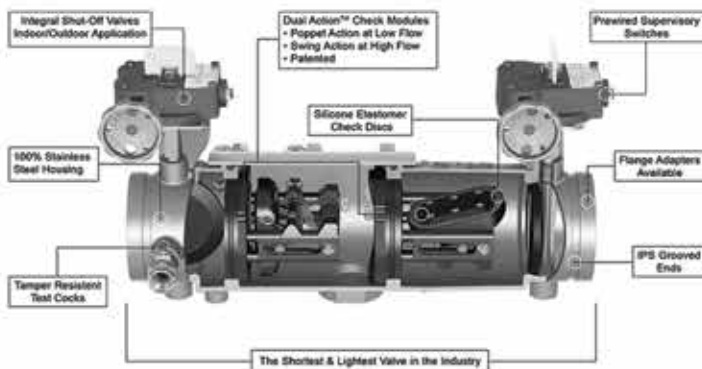
*~Factory Repair Information Enclosed*



# Deringer™ 20

## Double Check Valve Assembly

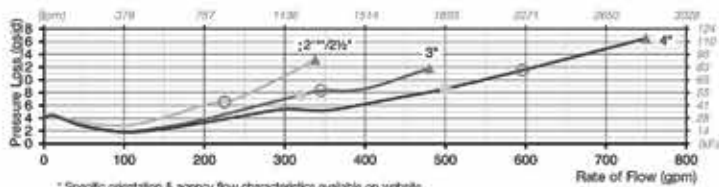
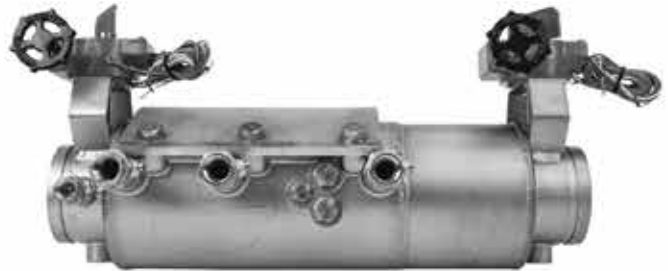
Sizes: 2" - 8"



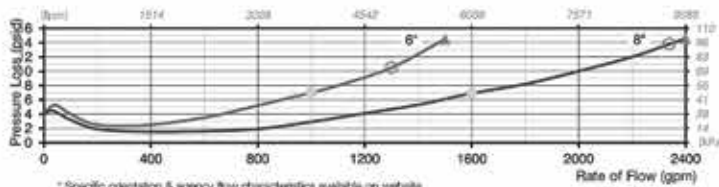
# Deringer™ 20X

## Low Head Loss Double Check Valve Assembly

Sizes: 4" & 6"

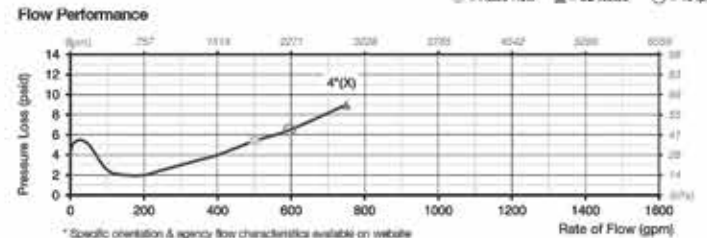


\* Specific orientation & agency flow characteristics available on website

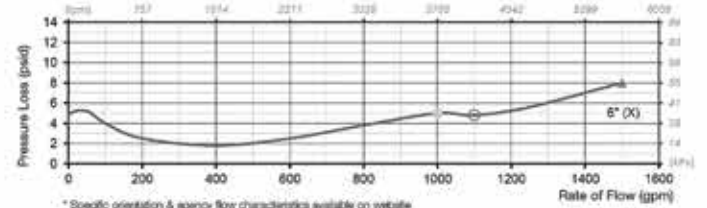


\* Specific orientation & agency flow characteristics available on website

● = Rated Flow ▲ = UL Tested ○ = 15 fps

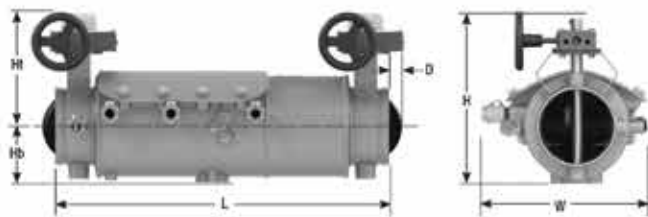


\* Specific orientation & agency flow characteristics available on website



\* Specific orientation & agency flow characteristics available on website

### Dimensions – Weights



Size	Model	HI	Hb	L	D	H	W	Weight
in.		in.	in.	in.	in.	in.	in.	lb. oz.
4	20X	8.6	218	3.3	84	23.6	599	0.2 5
6	20X	9.6	244	4.8	122	29.625	727	1.0 25

Size	Model	HI	Hb	L	D	H	W	Weight
in.		in.	in.	in.	in.	in.	in.	lb. oz.
2 1/2	20	7.1	180	2.9	74	22.3	566	0.0 0
2 1/2	20	7.1	180	2.9	74	18.7	475	0.0 0
3	20	7.4	188	2.9	74	18.7	475	0.0 0
4	20	7.9	201	2.9	74	18.7	475	0.2 5
6	20	10.1	257	4.5	114	25	726	1.0 25
8	20	10.4	264	5.4	137	30.7	780	1.8 46

\*\*2" size utilizes a 2 1/2" assembly with 2 1/2" groove to 2" female NPT adapter and couplings. Adapter and couplings ship unassembled.

### Materials

- Valve Housing: 304 Stainless Steel
- Valve Cover: 304 Stainless Steel
- SOV Disks: EPDM/304SS
- SOV Shafts: 304 Stainless Steel
- SOV Bearings: Teflon® fluoropolymer/Bronze
- Non-wetted Bolts: Grade 8 Zinc Plated
- Check Disks: Silicone (NSF)
- Wetted Fasteners: 18-8 Stainless Steel
- Check Springs: 17-7 Stainless Steel
- Check Pins: 17-7/18-8 Stainless Steel
- Check Seats: Noryl® Polymer (NSF)
- O-rings: Buna-N (NSF)

### Pressure – Temperature

Temperature Range: 33°F – 140°F  
Working Pressure: 10 – 175psi

\*The wetted surface of this product contacted by consumable water contains less than 0.25% of lead by weight.

Teflon® is a registered trademark of The Chemours Company.  
Noryl® is a registered trademark of SABIC Global Technologies B.V.

1ST CHECK



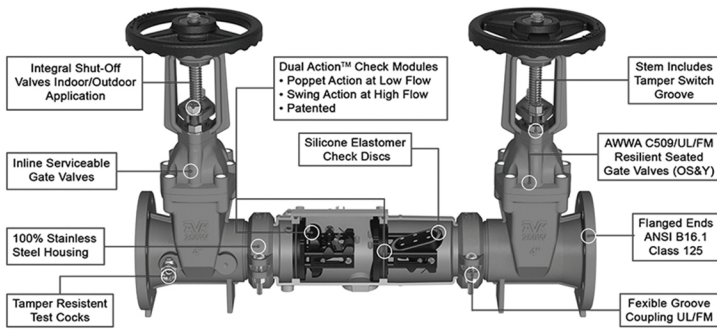
2ND CHECK



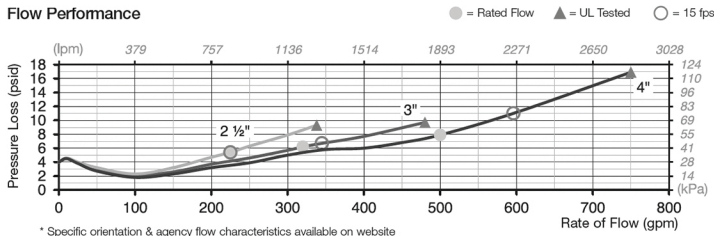
# Deringer™ 20G

## Double Check Valve Assembly

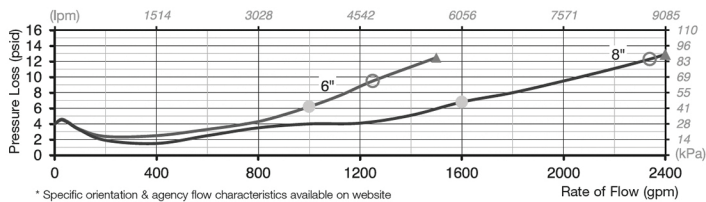
Sizes: 2½" – 8"



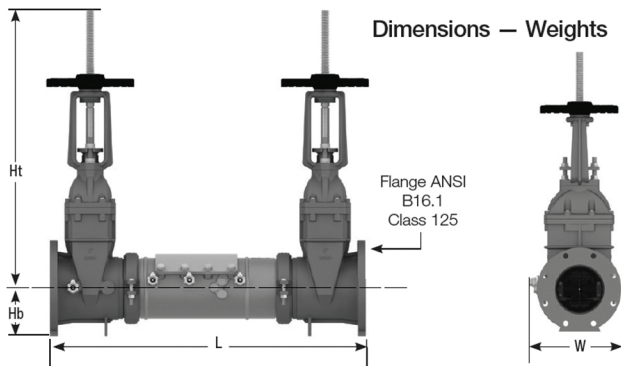
### Flow Performance



\* Specific orientation & agency flow characteristics available on website



\* Specific orientation & agency flow characteristics available on website



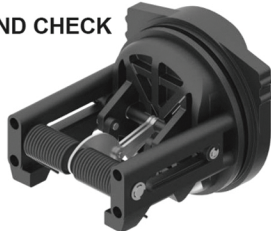
Size	Model	Ht		Hb		L		Ht+Hb		W		Weight	
in.		in.	mm	in.	mm	in.	mm	in.	mm	in.	mm	lbs.	kg
2½"	20G	19.0	483	3.6	92	31.9	810	22.6	574	11.0	279	122	55
3	20G	19.5	495	3.8	97	31.9	810	23.3	592	11.0	279	126	57
4	20G	22.5	572	4.5	114	33.9	861	27.0	686	11.0	279	160	73
6	20G	30.9	784	5.5	140	39.9	1013	36.4	293	12.0	304	330	150
8	20G	39.4	1001	6.8	173	44.8	1138	46.2	1173	14.6	371	452	205

Size	Model	Ht		Hb		L		Ht+Hb		W		Weight	
in.		in.	mm	in.	mm	in.	mm	in.	mm	in.	mm	lbs.	kg
4	20GX	22.5	572	4.5	114	36.9	937	27.0	686	12.0	304	160	73
6	20GX	30.9	785	5.5	140	42.8	1087	36.4	925	14.1	358	338	153

### 1ST CHECK



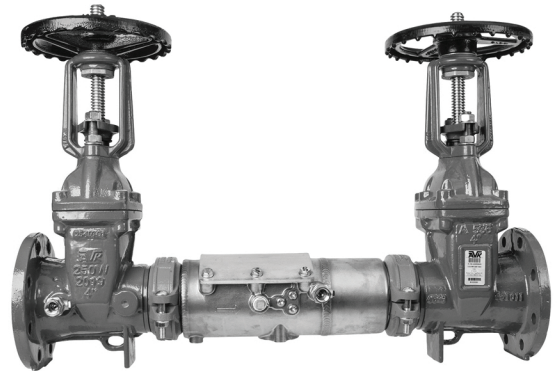
### 2ND CHECK



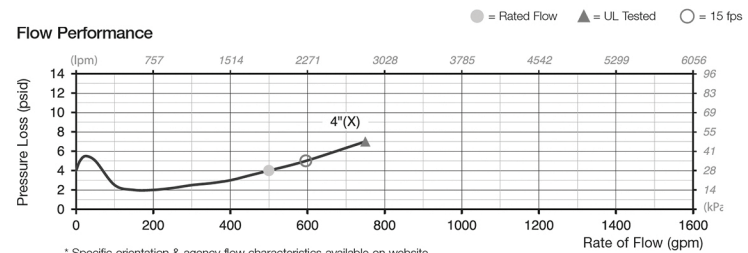
# Deringer™ 20GX

## Low Head Loss Double Check Valve Assembly

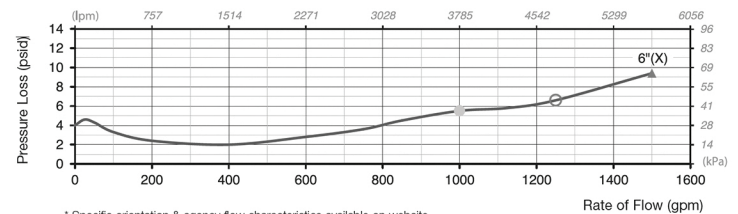
Sizes: 4" & 6"



### Flow Performance



\* Specific orientation & agency flow characteristics available on website



\* Specific orientation & agency flow characteristics available on website

### Materials

- Valve Housing: 304 Stainless Steel
- Valve Cover: 304 Stainless Steel
- SOV Disks: EPDM/304SS
- SOV Shafts: 304 Stainless Steel
- SOV Bearings: Teflon® fluoropolymer/Bronze
- Non-wetted Bolts: Grade 8 Zinc Plated
- Check Disks: Silicone (NSF)
- Wetted Fasteners: 18-8 Stainless Steel
- Check Springs: 17-7 Stainless Steel
- Check Pins: 17-7/18-8 Stainless Steel
- Check Seats: Noryl® Polymer (NSF)
- O-rings: Buna-N (NSF)

### Pressure – Temperature

Temperature Range: 33°F – 140°F  
Working Pressure: 10 – 175psi

\*The wetted surface of this product contacted by consumable water contains less than 0.25% of lead by weight.

Teflon® is a registered trademark of The Chemours Company.

Noryl® is a registered trademark of SABIC Global Technologies B.V.