

CLA VAL 16

CLA VAL 16-4

SIZE

3", 4", 6", 8", 10"

DESCRIPTION

Both models are double check detector assemblies. Production of the Model 16 was from approximately 1980-1990. The Model 16-4 began in 1991 and was discontinued in 2003. In the Model 16 the main valve utilizes an assembly similar to the Model D/DEX. The bypass valve on both models utilizes the 3/4" D2 or Wilkins 950 XL. The serial number of the main valve unit is needed to order some repair parts. The Model 16-4 main valve utilizes the D-4 design.

BASIC REPAIR KIT

Main valve repair kit contains all rubber discs, cover gaskets, and washers

<u>SIZE</u>	<u>MODEL 16 KIT NO</u>	<u>MODEL 16-4 KIT NO</u>
3"	D00300 * ◆	D40250 *
4"	D00400 *	D40400 *
6"	D00600 *	D40600 *
8"	D00800 *	D40800 *
10"	D00001 *	D40001 *

Bypass repair kit contains all rubber discs, O-rings, washers, and gasket

<u>SIZE</u>	<u>KIT NO</u>
Cla Val D2 3/4"	D20100 *
Wilkins 950 XL 3/4"	RK34-950XLR

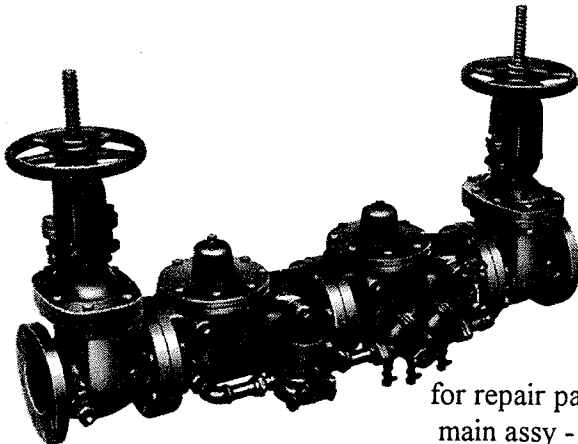
IMPORTANT FEATURES

- ~Mainline assembly see Cla Val D/DEX
- ~Bypass assembly see Cla Val D2 3/4"
- ~Factory repair information enclosed

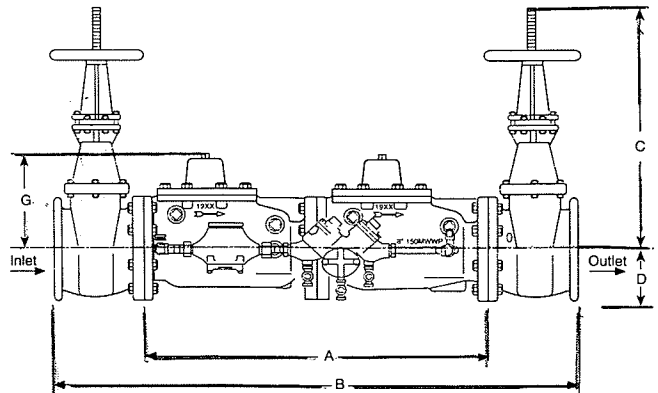
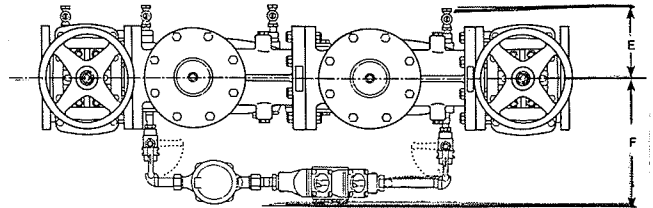


MODEL 16-4

Double Check Detector Check Backflow Preventer



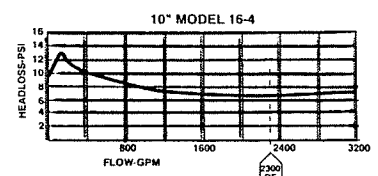
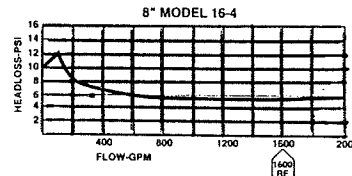
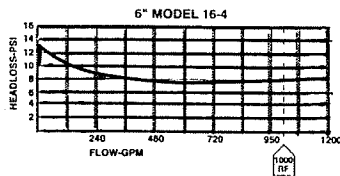
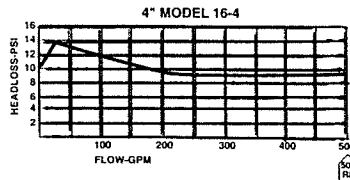
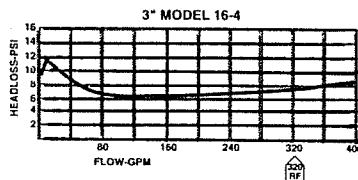
for repair parts breakdown see
main assy - Cla Val RP4 ck Assy
bypass assy - Cla Val RP2 ck assy



Dimensions (In Inches)

Valve Size	3"	4"	6"	8"	10"
A	26.06	30.06	40.06	50.81	59.56
B	42.19	48.19	61.19	73.94	85.69
C Max	18.87	22.75	30.13	37.75	45.75
D	3.75	4.50	5.50	6.75	8.00
E	4.50	5.00	6.00	8.00	10.00
F	11.00	11.63	13.00	14.50	18.50
G	7.25	8.31	11.00	13.00	15.75

It is recommended that this unit be installed in a horizontal position and that provisions for adequate drainage be made. Right hand mount of bypass assembly is standard. Left hand mount is optional. Adequate space around assembly for maintenance work and testing is recommended.



Specifications

Sizes:

Main-Line: 3", 4", 6", 8", 10"
By-Pass Line ¾"

Material:

Main-Line Check valve & Body cover:
Cast Iron, epoxy coated internally*
By-Pass Line Check Valve Body & Cover:
Bronze ASTM B-61
Check Valve Trim (all):
Bronze ASTM B-61

End Detail:

125 ANSI B16.1

Working Pressure:

150 psi Maximum

Hydrostatic Test Pressure:

300 psi

Max. Temperature:

to 110° F

Fluid:

Water

Meter:

Magnetic Drive Type:
¾" x ¾" size for low flow registration ¼ GPM to 20 GPM
Material: Bronze
(To comply with latest AWWA standards)

Shut-off Valves:

Main-Line:
Resilient Seat Outside Stem and Yoke Type
Interior and Exterior AWWA C550
By-pass line:
Resilient Seat Ball Type

*Exterior may be epoxy coated at extra cost