

CLA VAL D2

SIZE

3/4", 1", 1 1/4", 1 1/2"

DESCRIPTION

The Model D-2 is a double check assembly. Production began approximately 1978 and was discontinued in 2003. The valve is a bronze body with poppet type check valves. The check poppets are either stainless steel or delrin plastic. Check seats are replaceable. A seat removal tool is needed to change the check seats. Check springs are not contained when the covers are removed. The valve uses the check design as used in the RP2 series.

BASIC REPAIR KIT

The repair kit contains all rubber discs, O-rings, gasket, and washers.

<u>SIZE</u>	<u>KIT NO</u>
3/4"-1"	D20100 *
1 1/4"-1 1/2"	D20150 *

IMPORTANT FEATURES

- ~Bronze body*
- ~Replaceable seats*
- ~Springs are not contained*
- ~Factory repair information enclosed*





CLA-VAL CO.

BACKFLOW PREVENTER

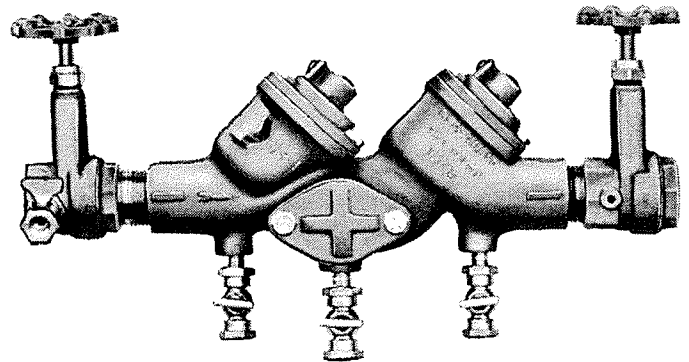
MODEL D-2

The Cla-Val Model D-2 Double Check Valve Assembly is a reliable means of backflow protection for intermediate degrees of hazard. The assembly is carefully constructed of corrosion resisting materials. It consists of one body containing two independently acting spring-loaded poppet check valves, two shut-off valves and four test cocks. Field testing is easily performed by means of the test cocks provided for this purpose.

The poppet check valves are uniquely designed to provide drip-tight closure against reverse flow, and low pressure drop at maximum capacity. The spring-loaded poppet causes the valve to seal against an inlet pressure higher than the outlet pressure when there is no flow.

It is recommended that this unit be installed in a horizontal position. All internal parts are readily accessible without removing valves from the line.

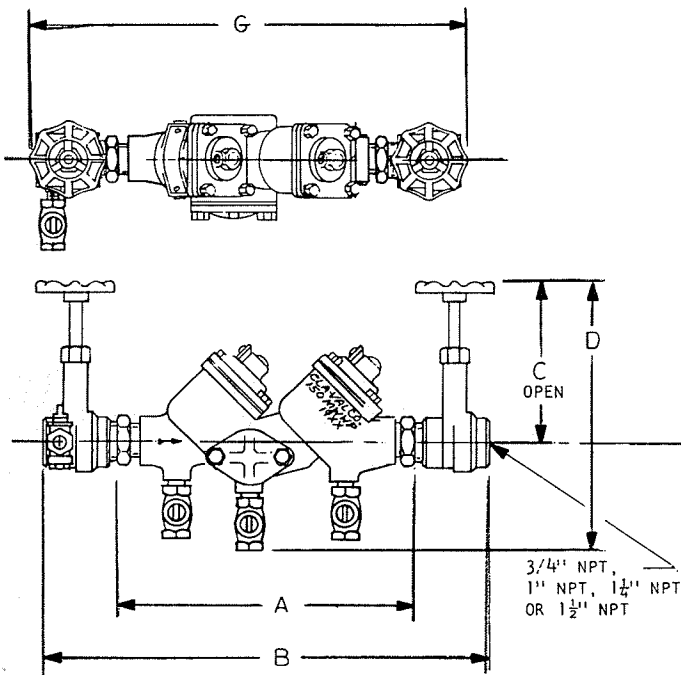
DOUBLE CHECK VALVE ASSEMBLY



FEATURES

- Low head loss
- No internal or external weights
- All parts are corrosion resistant
- Positive operation without chattering

DIMENSIONS

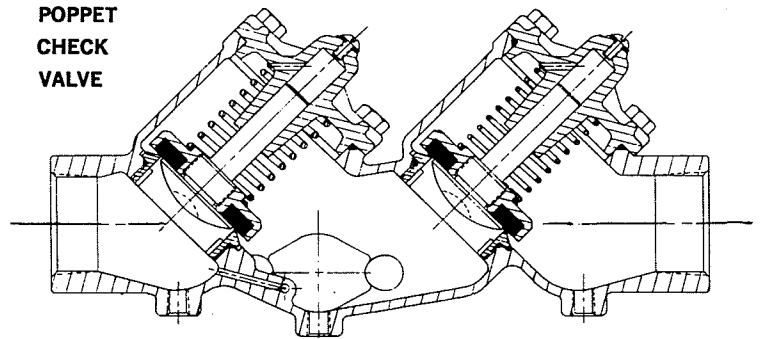


DIMENSIONS IN INCHES

Valve Size	A	B	C	D	E	F	G	Test Cocks
3/4"	10.12	15.00	4.06	7.50	1.50	4.22	15.38	3/8"
1"	9.00	14.38	5.19	8.62	1.50	4.44	14.56	3/8"
1 1/4"	13.25	18.62	6.06	10.06	1.69	4.78	18.88	3/8"
1 1/2"	11.75	18.42	7.06	11.06	1.69	4.94	18.88	3/8"

Gate Valves are rising stem

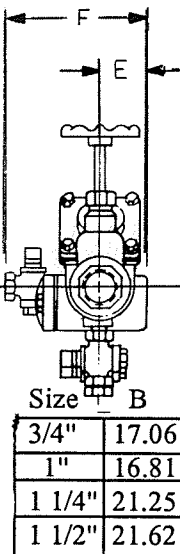
POPPET CHECK VALVE



for repair parts breakdown see
Cla Val model RP2 ck assy

SPECIFICATIONS

VALVE SIZES	3/4", 1", 1 1/4" & 1 1/2"
END DETAILS	Screwed: ANSI B 16.15
WORKING PRESSURE	Maximum: 150 psi
HYDROSTATIC TEST	Pressure: 300 psi
TEMPERATURE RANGE	to 110°F
FLUID	Water
MATERIALS	Check valve body and cover: Bronze ASTM B-61 Check valve trim: Bronze ASTM B-61



CLA-VAL CO.

Newport Beach, California