

CONBRACO 40-700/ RPDA-40 SERIES

<u>SIZE</u>	<u>MODEL</u>
3"	40-700
4"	40-70A
6"	40-70C
8"	40-70E
10"	40-70G

DESCRIPTION

This is a reduced pressure detector assembly. Production began in 1993 and discontinued in 2013. The main valve utilizes an assembly similar to the 40-200. The bypass assembly utilizes a 3/4" 40-200. Note each size has a different model number but they are all in the 40-700 series.

BASIC REPAIR KIT

Mainline repair kit contains all rubber discs, diaphragm, and O-rings

<u>SIZE</u>	<u>KIT NO</u>	<u>AIR GAP DRAIN</u>
3"	40-200-30*	N/A
4"	40-200-40*	N/A
6"	40-200-60*	N/A
8"	40-200-80*	40-200-X3
10"	40-200-10*	40-200-X3

Bypass repair kit contains all rubber discs, diaphragms, and O-rings

<u>SIZE</u>	<u>KIT NO</u>	<u>AIR GAP DRAIN</u>
40-200 3/4"	40-004-A4	40-200-X1

IMPORTANT FEATURES

- ~Mainline assembly see 40-200
- ~Bypass assembly see 40-200 3/4"
- ~Factory repair information enclosed



FEATURES

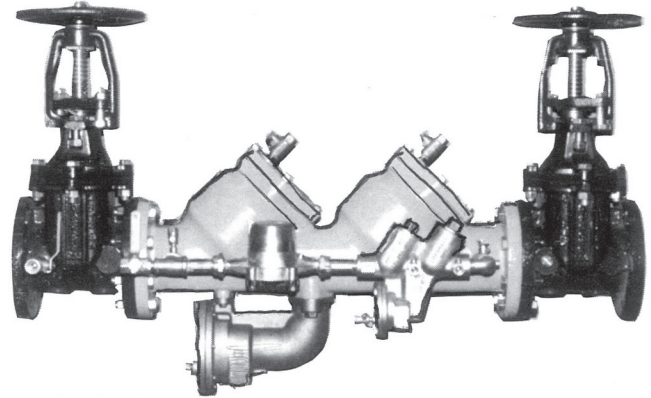
- Maximum protection against back-pressure/back-siphonage
- Removable bronze seats
- Replaceable discs
- Internal sensing passage
- Corrosion resistant
- Easy in-line maintenance and testing
- Maximum working pressure 175 psi
- Operating temperature range 33 - 140°F

MATERIALS

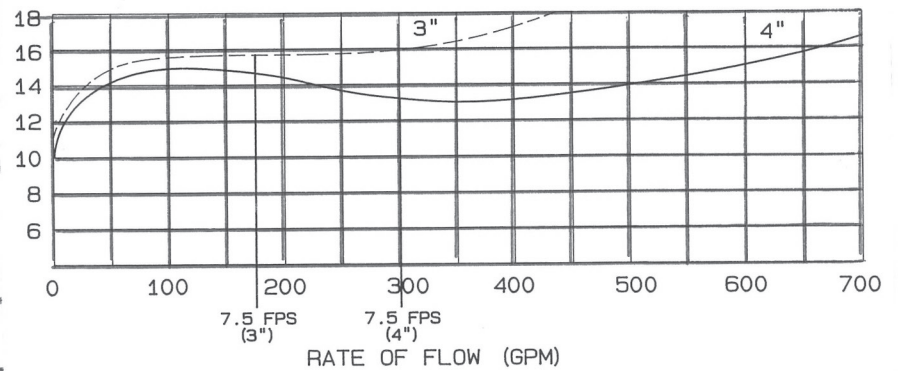
1. Body - FDA Approved epoxy-coated ductile iron (mainline)
2. By-pass components - Bronze
3. Springs - Stainless Steel (both)
4. Seats - Bronze (both)
5. Check valve discs - EPDM (mainline)
- Silicone rubber (by-pass)
6. Relief valve discs - Silicone rubber (mainline)
- EPDM (by-pass)
7. Diaphragm - Buna-N and nylon (both)
8. R.V. body - Bronze (mainline)
9. Fasteners - Stainless Steel (both)

Reduced Pressure Detector Assembly

Size 3"-4"

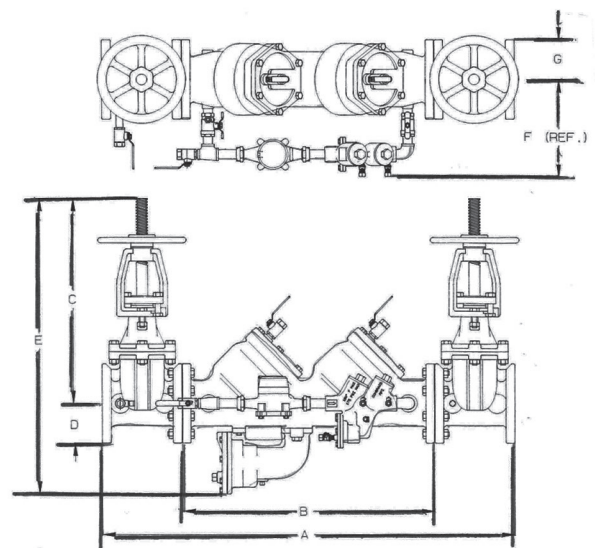


FLOW CURVES



DIMENSIONS (in.) - WEIGHTS (lbs.)

Size	3"	4"
A	38-1/16	46-3/4
B	22-1/16	28-3/4
C (OS & Y) OPEN	22-1/16	23-3/16
D	3-3/4	4-1/2
E (OS & Y) OPEN	31-9/16	33-5/8
F	9-1/4	10-1/2
G	3-3/4	4-1/2
Test cocks (line)	1/2" NPT	1/2" NPT
Test cocks (by-pass)	1/4" NPT	1/4" NPT
Net Wt. (less gate valves)	145	217
Net Wt. (with OS&Y valves)	282	423
Shipping Wt. (less gate valves)	209	281
Shipping Wt. (with OS&Y valves)	346	487



FEATURES

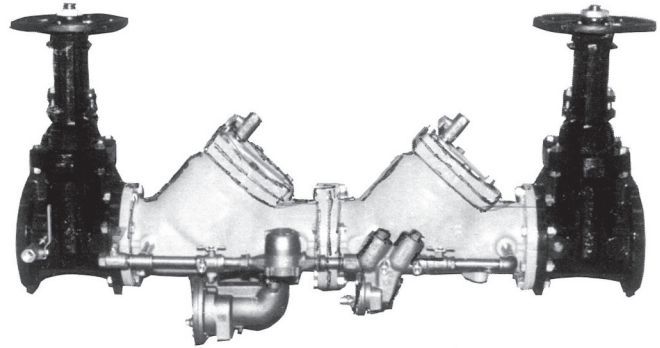
- Maximum protection against back-pressure/back-siphonage
- Removable bronze seats
- Replaceable discs
- Internal sensing passage
- Corrosion resistant
- Easy in-line maintenance and testing
- Maximum working pressure 175 psi
- Operating temperature range 33 - 140°F

MATERIALS

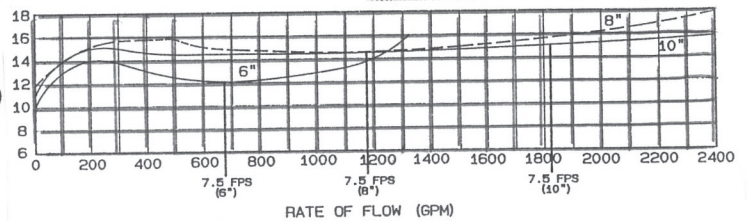
- | | |
|-----------------------|---|
| 1. Body | - FDA Approved epoxy coated ductile iron (mainline) |
| | - Bronze (by-pass) |
| 2. By-pass components | - Bronze |
| 3. Springs | - Stainless Steel (both) |
| 4. Seats | - Bronze (both) |
| 5. Check valve discs | - EPDM (mainline) |
| | - Silicone rubber (by-pass) |
| 6. Relief valve discs | - Silicone rubber (mainline) |
| | - EPDM (by-pass) |
| 7. Diaphragm | - Buna-N and nylon (both) |
| 8. Mainline R.V. body | - Bronze (6" only) |
| | - FDA Approved epoxy coated ductile iron (8" & 10") |
| 9. Fasteners | - Stainless Steel (both) |

Reduced Pressure Detector Assembly

Size 6" - 8" - 10"



FLOW CURVES



DIMENSIONS (in.) – WEIGHTS (lbs.)

Size	6"	8"	10"
A	63	75	88-1/4
B	42	52	62-1/16
C (OS & Y) OPEN	30-1/8	37-3/4	48
D	5-1/2	6-3/4	8
E (OS & Y) OPEN	41-5/8	53-3/4	65-1/2
F	13-1/4	14-3/4	17-1/2
G	5-1/2	6-3/4	8
Test Cocks (line)	3/4" NPT	3/4" NPT	3/4" NPT
Test Cocks (by-pass)	1/4" NPT	1/4" NPT	1/4" NPT
Net. Wgt. (less gate valves)	452	738	1471
Net. Wgt. (with OS&Y valves)	776	1233	2314
Shipping Wgt. (less gate valves)	550	908	1641
Shipping Wgt. (with OS&Y valves)	874	1403	2484

