

# CONBRACO / APOLLO 4A-900 / SVB4A SERIES 4ALF-900 / SVB4ALF SERIES

## SIZE

3/4", 1"

## DESCRIPTION

This is a spill resistant pressure vacuum breaker. Production began in 2017. The body is available in either a leaded or unleaded bronze. The air inlet and check valve are modular in construction

## BASIC REPAIR KIT

Repair kit contains check and air inlet rubber discs and O'rings

### SIZE

3/4"

1"

### KIT NO

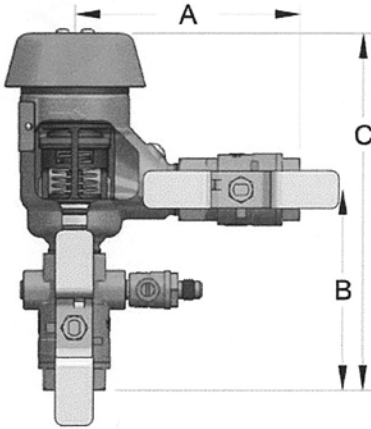
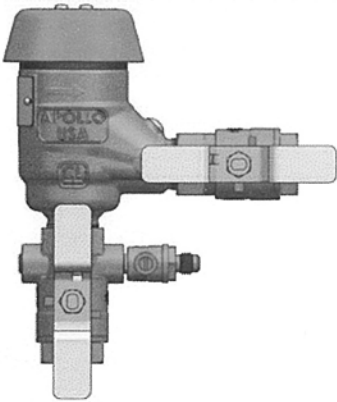
4A-004-24

4A-005-24

## IMPORTANT FEATURES

*~Modular construction*





The Apollo Series SVB 4A or SVBLF 4A Spill Resistant Vacuum Breaker is designed to prevent contamination of the potable water supply due to back-siphonage. The SVB is ideally suited for continuous pressure, indoor applications where water spillage is undesirable. The device has a straight through flow path for minimal head loss. All components are easily accessible for easy repair and maintenance. All components are made of corrosion resistant materials for years of reliable service. Should be installed 12" above all downstream piping.

**FEATURES**

- Modular Captured Spring Check Valve
- Shut-Off Valves w/ Stainless Steel Handles and Nuts
- Threaded Testcock Protectors
- Designed For Easy Maintenance
- Lead-Free Options
- Low Head Loss
- Corrosion Resistant
- 5 Year Warranty
- Unique Canopy Detachment
- No Special Tools Required
- **Designed, Manufactured, Assembled and Tested in the USA**

**PERFORMANCE RATING**

- Maximum Operating Pressure: 150 psi
- Temperature Range: 33° to 180°F

**APPROVALS**

- ASSE 1056-2011
- NSF/ANSI 372 - Lead Free (4ALF only)

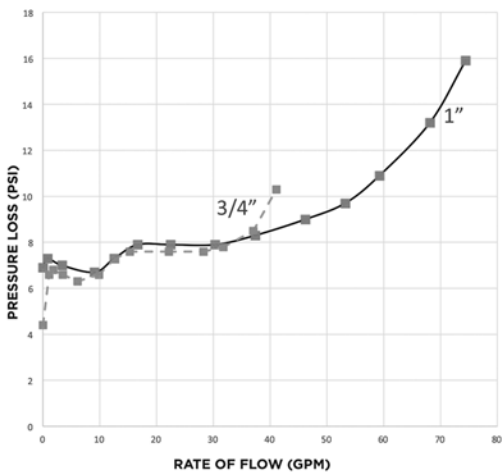
**STANDARD MATERIALS LIST**

<b>BODY</b>	Bronze C84400 or C89836 Lead Free*
<b>BALL VALVES, TEST COCKS</b>	Bronze C84400 or C87800 Lead Free*
<b>CANOPY</b>	UV-Resistant ABS
<b>BONNET</b>	Glass-Filled PPO
<b>CHECK VALVE CARTRIDGE</b>	Glass-Filled PPO
<b>SPRINGS</b>	Stainless Steel
<b>SEAT DISCS</b>	Chloramine-Resistant Silicone
<b>FLOAT</b>	Glass-Filled PPO
<b>O-RINGS</b>	Chloramine-Resistant EPDM

**DIMENSIONS**

PART NUMBER	LEAD FREE PART NO.	MODEL NUMBER	LEAD FREE MODEL NO.	DIMENSIONS (IN.) (MM)				WEIGHT	
				SIZE	A	B	C	LB.	KG.
4A-904-A2F	4ALF-904-A2F	SVB4A34	SVBLF4A34	3/4" (20)	4-1/2 (121)	4 (105)	7-1/4 (194)	3.0	1.4
4A-905-A2F	4ALF-905-A2F	SVB4A1	SVBLF4A1	1" (25)	5-3/8 (135)	4-3/4 (194)	8-1/8 (211)	4.2	1.9

**FLOW CURVE**



Ⓢ Meter Rated Flow as determined by approval agencies, 7.5 ft/sec is the typical maximum Plumbing system flow rate.

Curves developed from independent approval agencies actual tests - Consult factory for details.

**SVB4A/SVBLF4A PARTS LIST**

ITEM #	DESCRIPTION
1	Body
2	Label Plate
3	Label Plate Tacks
4	Bushing
5	Bushing O-ring
6	Vent Screw
7	Vent Screw O-ring
8	Float Spring
9	Check Guide
10	Bonnet O-ring
11	Canopy
12	Check Module O-ring
13	Check Module S-Assy (See Below)
14	Float S-Assy (See Below)
15	Bonnet S-Assy (See Below)
16	Check Seat
17	Poppet
18	Spring Retainer
19	Seat Disc
20	Disc Retaining Washer
21	Screw
22	Spring
23	Float
24	Float Disc
25	Valve Bonnet
26	Float Spring Guide
27	Float Spring Guide Screw
28	Canopy Screws

Individual parts are only available for bulk sales. Please refer to the appropriate repair kits.

**PART NUMBER DIAGRAM**  
FIGURE 4

