

CONBRACO 4V-500/ PVB/PVB-4V SERIES

SIZE

1/2", 3/4", 1", 1 1/4", 1 1/2", 2"

DESCRIPTION

This is a pressure vacuum breaker assembly. Production began in 1998 and was discontinued around 2010. Both model numbers have been used to designate this assembly. It is a bronze bodied unit. The air inlet incorporated a relief valve to protect the assembly from damage when the assembly is subjected to freezing. The check spring is contained when the bonnet is removed. The check seat is replaceable. The 1/2"-1 1/2" size check assembly is modular in construction and not field repairable. It must be replaced as a whole module. The 2" size does not have a modular check and can be repaired separately.

BASIC REPAIR KIT

The repair kit contains check assembly or check disc, bonnet assembly, and O-ring

<u>SIZE</u>	<u>KIT NO</u>
1/2"-3/4"	4V-500-050
1"	4V-500-100
1 1/4"-1 1/2"	4V-500-125
2"	4V-500-200 ◆

IMPORTANT FEATURES

- ~Bronze body
- ~Contained check spring
- ~Factory repair information enclosed





CONBRACO

SERIES 4V-500

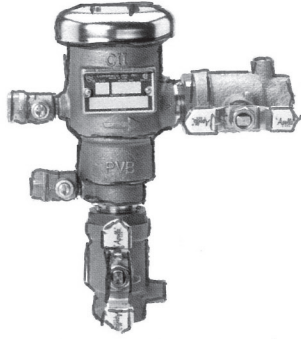
PRESSURE VACUUM BREAKER

4V-500 Series

Model PVB

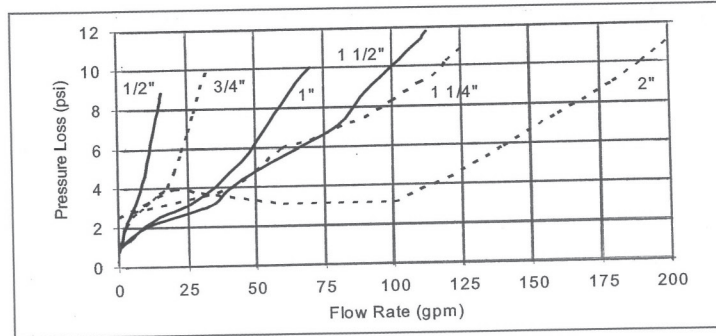
Sizes 1/2", 3/4", 1", 1-1/4", 1-1/2", 2"

FREEZE RESISTANT VACUUM BREAKER

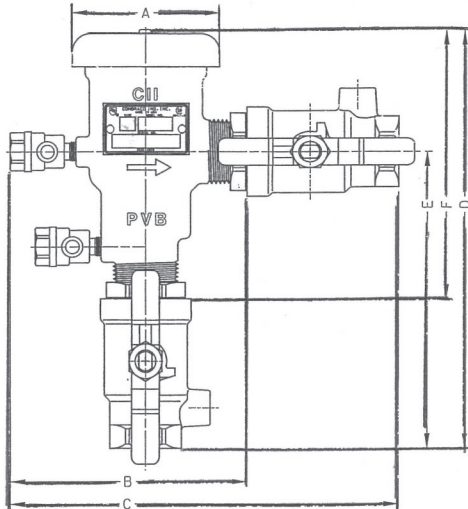


FEATURES

- Removable integral check valve
- One piece cap/float assembly
- Built-in freeze relief valve in cap/float assembly
- Corrosion resistant construction
- Comes standard with Apollo® full port ball valves with stainless steel handles
- Maximum working pressure 150 psig
- Operating temperature range 33°F-180°F
- Easy maintenance



FLOW CURVES



MATERIALS

Body	Bronze
Canopy	Powder Coated Steel
Cap	Acetal
Check Valve	Acetal
Float	Acetal
Springs	Stainless Steel
Test Cocks	Brass

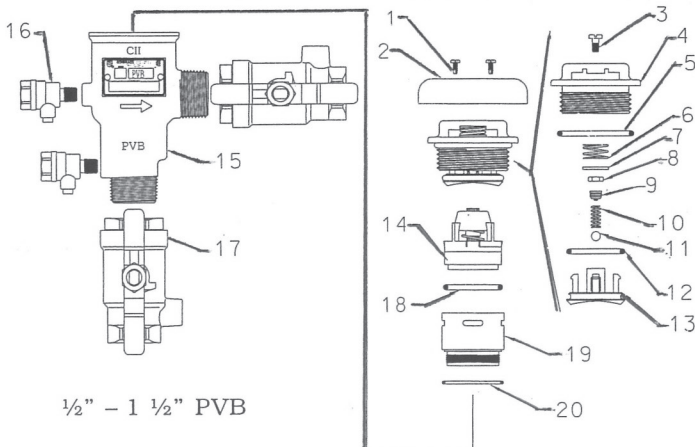
4V - 50 X - 0 X

SIZE	BALL VALVES
3-1/2"	1-less ball valves
4-3/4"	2-w/ ball valves
5-1"	4-w/ union end ball valves
6-1-1/4"	
7-1-1/2"	
8-2"	

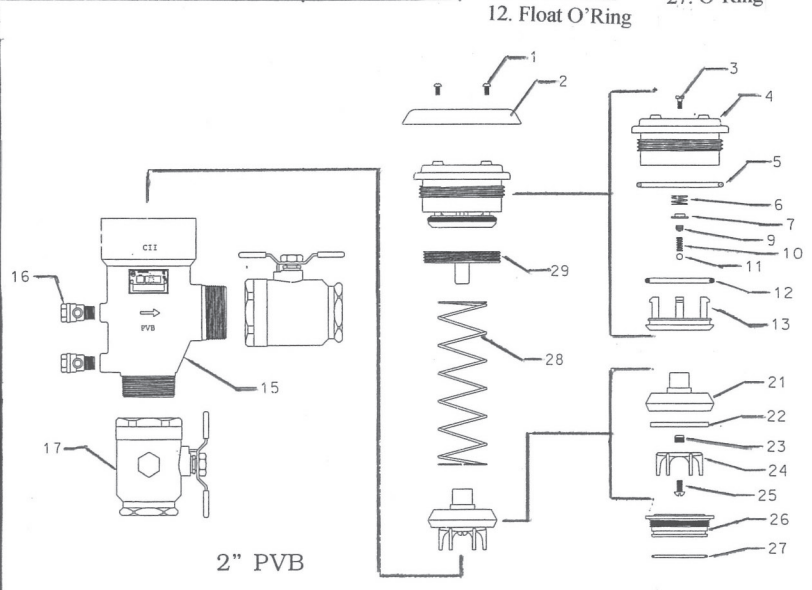
Dimensions (In.) – Weights (Lbs.)	1/2"	3/4"	1"	1-1/4"	1-1/2"	2"
Body Size						
A	3	3	3	3-3/4	3-3/4	5-1/4
B (Less Ball Valves)	4-3/4	4-3/4	4-3/4	5-3/8	5-3/8	6-5/8
C	6-3/8	7-1/8	7-1/2	8-3/4	9-1/4	10-1/4
D	7-1/8	7-5/8	8-3/8	10-5/8	10-7/8	12-1/8
E	4-5/8	5-1/8	5-7/8	7-3/8	7-3/8	7-1/8
F (Less Ball Valves)	5-3/8	5-3/8	5-3/8	6-7/8	7-1/4	8-5/8
Test Cocks	1/8 x 1/4 NPT	1/8 x 1/4 NPT	1/8 x 1/4 NPT	1/4 x 1/4 NPT	1/4 x 1/4 NPT	1/4 x 1/4 NPT
Net Wt. (Less Ball Valves)	2.2	2.2	2.2	4.3	4.3	8.8
Net Wt. (With Ball Valves)	3.4	3.9	5.3	9.3	12.2	23.3
Shipping Wt. (Less Ball Valves)	3.2	3.2	3	5.6	5.8	10.3
Shipping Wt. (With Ball Valves)	4.4	4.9	6.3	10.5	13.7	24.8

- Canopy Screw
- Canopy
- Cap Screw
- Cap
- Cap O'Ring
- Cap Spring
- Cap Washer
- Cap Nut
- Freeze Plug
- Freeze Spring
- Freeze Ball
- Float O'Ring
- Float
- PVB Body
- Test Cock
- Ball Valve
- Disc Ret
- Ck Disc
- Plug
- Ck Guide
- Screw
- Ck Seat
- O'Ring

- Canopy Screw
- Canopy
- Cap Screw
- Cap
- Cap O'Ring
- Cap Spring
- Cap Washer
- Cap Nut
- Freeze Plug
- Freeze Spring
- Freeze Ball
- Float O'Ring
- Float
- Check Valve
- PVB Body
- Test Cock
- Ball Valve
- Ck O'Ring
- Ck Valve Ret
- Ret O'Ring



1/2" - 1 1/2" PVB



2" PVB