

CONBRACO

4W-500/ SVB/ SVB-4W SERIES

SIZE

1/4", 3/8", 1/2"

DESCRIPTION

This is a spill resistant pressure vacuum breaker. Production began in 2000 and was discontinued in 2017. The body is made of a noryl plastic with integral ball valves. The check valve is of modular construction.

BASIC REPAIR KIT

Repair kit contains check assembly and air inlet poppet assembly.

SIZE

1/4"-1/2"

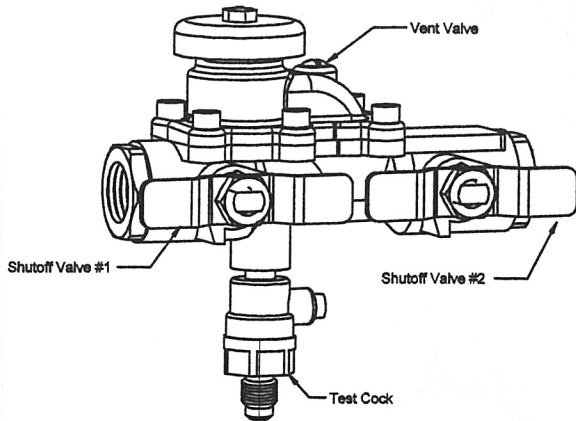
KIT NO

4W-500-01 ◆

IMPORTANT FEATURES

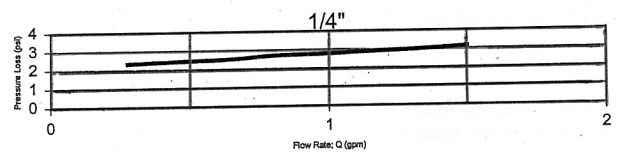
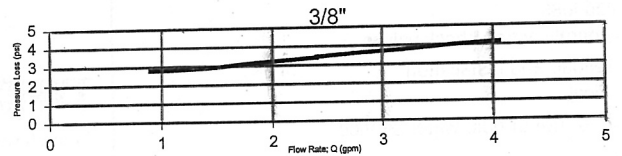
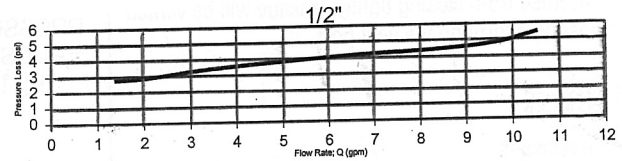
- ~Noryl body
- ~Modular check
- ~Integral shut-off valves





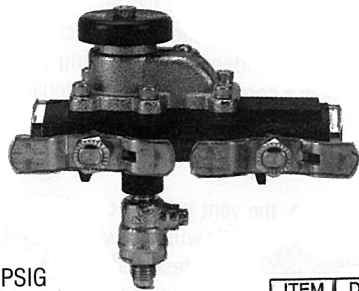
Spill-Resistant Pressure Vacuum Breaker

SIZES $1/4"$, $3/8"$, $1/2"$



FEATURES

- Corrosion Resistant
- In-Line Flow
- Integral Shut-Off Valves
- Designed For Easy Maintenance
- Low Head Loss
- Economical
- Maximum Working Pressure 150 PSIG
- Operating Temperature Range 33-180°F



MATERIALS

Body	Noryl®
Springs	Stainless Steel
Seat discs	Silicone Rubber
Valve Canopy	ABS Plastic
Float	Acetal
Fasteners	Stainless Steel

ITEM	DESCRIPTION
1	SPRING
2	GLAND
3	SCREW
4	CAP SCREW
5	HEX NUT
6	MACHINE HEX NUT
7	O-RING
8	SEAT DISC
9	SEAT
10	STEM PACKING
11	STEM BEARING
12	O-RING
13	DIAPHRAGM
14	BONNET
15	ATMOSPHERIC CHECK
16	CANOPY
17	STEM, BALL VALVE
18	CHECK GUIDE
19	TEE HANDLE
20	BALL
21	$1/4"$ NPT RETAINER
22	$3/8"$ NPT RETAINER
23	$1/2"$ NPT RETAINER
24	RETAINER, CHECK
25	TEST COCK

