

FEBCO 765

SIZE

1/2", 3/4", 1", 1 1/4", 1 1/2", 2"

DESCRIPTION

The Model 765 is a pressure vacuum breaker assembly. Production began approximately 1975. It is of bronze body construction. The check seats are cast in the body and are not replaceable. Check springs are contained on the 1/2"- 1 1/4" size when the bonnet is removed. The 1 1/2"-2" check spring is not contained when the bonnet is removed.

BASIC REPAIR KIT

The replacement kit for the 1/2"-1 1/4" contains bonnet assembly, poppet assembly, check assembly, check spring, spring retainer. The 1 1/2"-2" replacement kit contains check assembly, check spring, spring retainer, cover O'ring, poppet assembly.

<u>SIZE</u>	<u>KIT NO</u>
1/2"	765050 *
3/4"	765050 *
1"	765100 *
1 1/4"	765100 *
1 1/2"	765200 *
2"	765200 *

The rubber repair kit contains check disc, poppet disc, and bonnet O'ring.

<u>SIZE</u>	<u>KIT NO</u>
1/2"	905020
3/4"	905020
1"	905021
1 1/4"	905021
1 1/2"	905022
2"	905022

IMPORTANT FEATURES

~ *Bronze Body*

~ *Check seat is not replaceable*

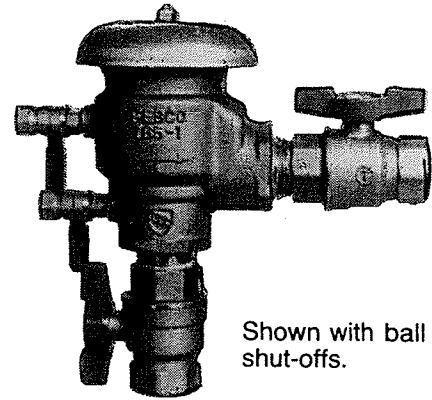
~ *1/2"-1 1/4" check spring is contained*

~ *Factory repair information enclosed*

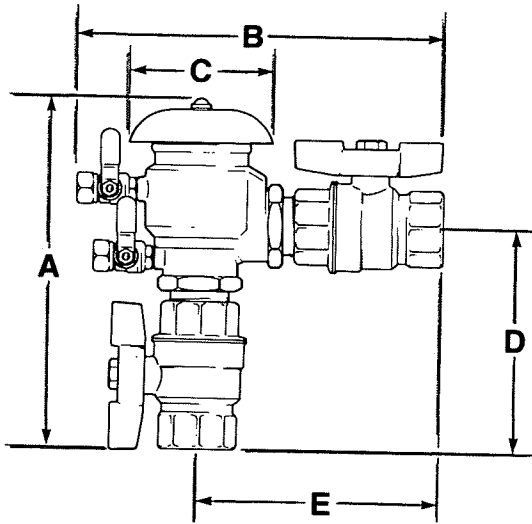




Model 765 (1/2" through 2") Pressure Vacuum Breaker Assembly for High Hazard Service



Shown with ball valve shut-offs.



Characteristics

- Maximum working pressure _____ 150 PSI
- Hydrostatic test pressure _____ 300 PSI
- Temperature range _____ 32°F to 140°F (0°C to 60°F)
- Fluid _____ Water
- End detail _____ 1/2"-2". Threaded ANSI B2.1
- Main valve body _____ Bronze ASTM B-584-78
- Elastomers _____ Nitrile ASTM D-2000

Dimensions - Weights

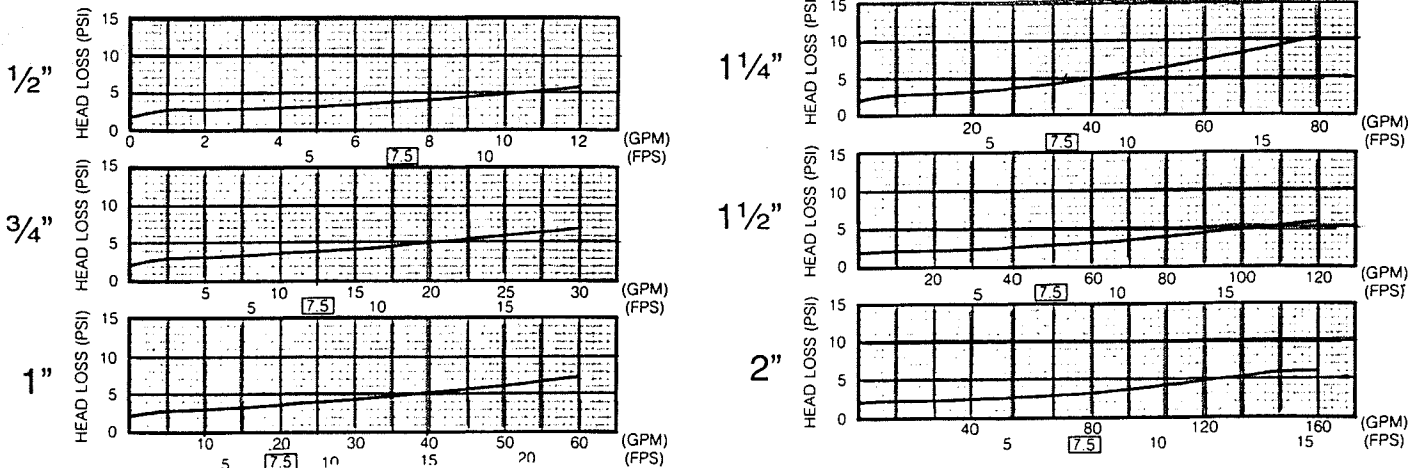
Size: 1/2" - 2" (15 - 50mm)

SIZE (DN)		DIMENSIONS																WEIGHT			
in.	mm	A		A1 (union)		B		B1 (union)		C		D		D1 (union)		E		E1 (union)		lbs.	kgs.
		in.	mm	in.	mm	in.	mm	in.	mm	in.	mm	in.	mm	in.	mm	in.	mm	in.	mm		
1/2	15	6 1/4	159	7	178	6 3/4	172	7 1/2	197	2 1/2	64	3 3/4	95	4 1/2	114	4 1/4	108	5	127	2.6	1.2
3/4	20	6 1/2	165	7 3/8	187	7	178	7 7/8	200	2 1/2	64	4	102	4 5/8	124	4 1/2	114	5 3/8	137	2.9	1.3
1	25	8 3/4	222	9 5/8	245	9	229	9 15/16	252	4	102	5 1/4	133	6 1/16	157	6	152	6 15/16	176	5.9	2.7
1 1/4	32	9 1/4	235	10 1/4	260	10	254	11	279	4	102	6 1/4	159	7 1/4	184	7	178	8	203	7.0	3.2
1 1/2	40	11 1/4	299	12 1/8	327	11 1/2	292	12 5/8	321	6 1/2	165	7 1/4	184	8 3/8	213	7 3/4	197	8 3/4	225	14.8	6.7
2	50	12 1/2	318	13 3/4	349	12 3/4	311	13 1/2	343	6 1/2	165	8	203	9 1/4	235	8 1/2	216	9 3/4	248	16.5	7.5

Note: Weights shown do not include union end ball valves and are approximate. Dimensions shown are nominal, allowance must be made for normal manufacturing tolerances.

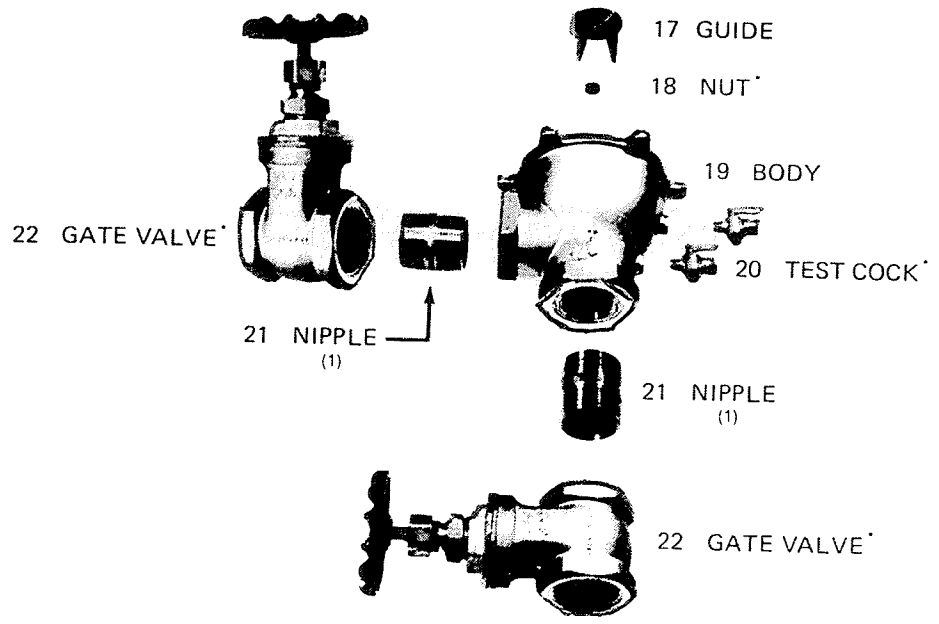
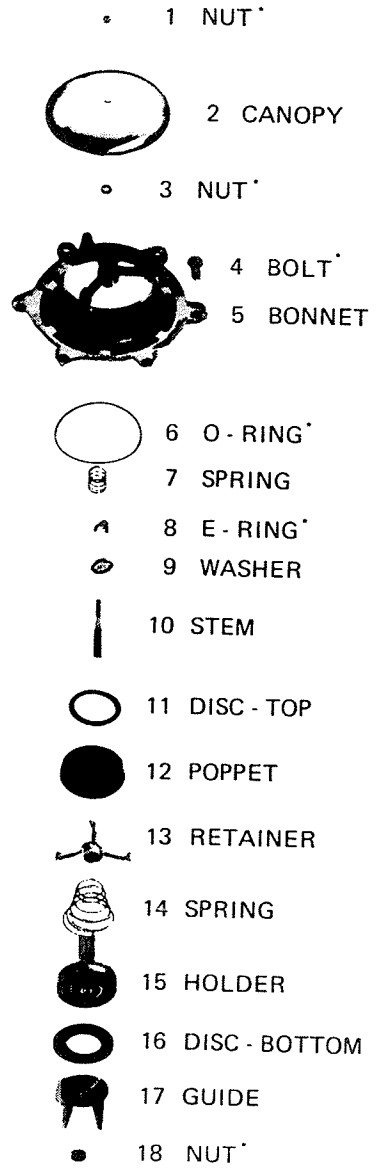
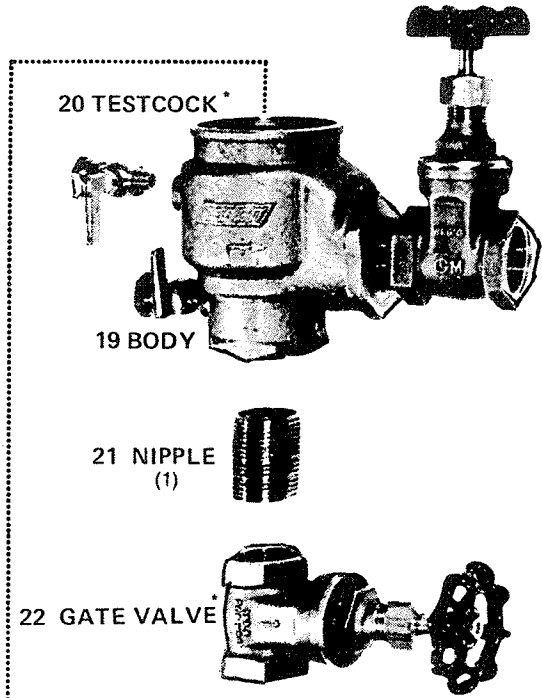
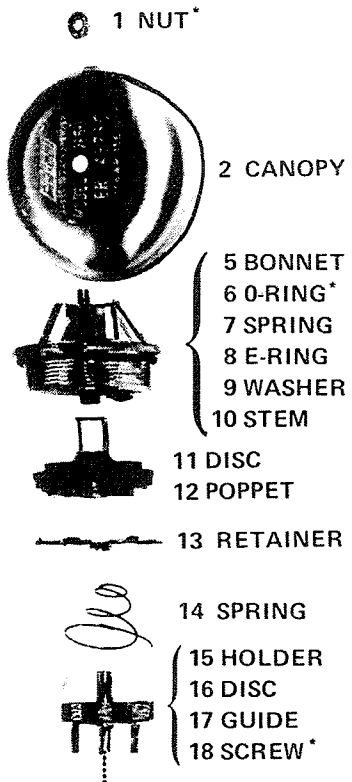
Model 765 Flow Curves

(Flow Curves as established by the USC Foundation for Cross Connection Control and Hydraulic Research)



PRESSURE VACUUM BREAKER MODEL 765

1/2-1 1/4"



1 1/2-2"