

FEBCO 820

SIZE

1/4", 3/8", 1/2"

DESCRIPTION

This is a reduced pressure principle assembly. Production began in 2000 and was discontinued in 2003. The body is made of bronze with integral ball valves. The checks and relief valve are modular in construction.

BASIC REPAIR KIT

Repair kit contains 1st check, 2nd check, and relief valve modules.

SIZE

1/4"-1/2"

KIT NO

820025 ◆

IMPORTANT FEATURES

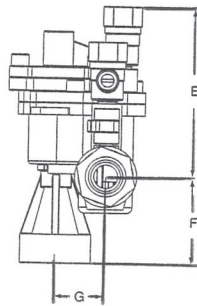
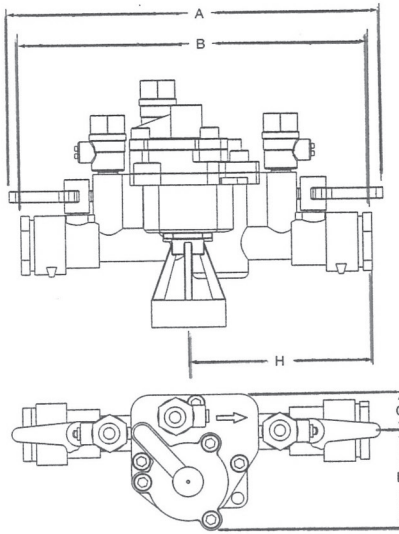
~Modular construction



SPECIFICATION SHEET MODEL 820 (1/4", 3/8", 1/2")



MicroSeries Reduced Pressure Assembly

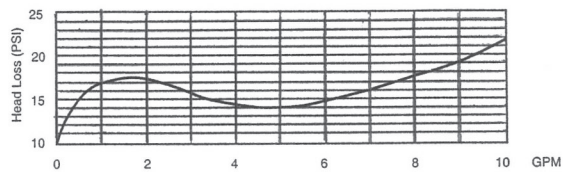


Air Gap Drain
Sold Separately
P/N 905-442

Characteristics and Materials

- Maximum Working Pressure — 150 PSI (1200 KPa)
- Hydrostatic Test Pressure — 300 PSI (2400 Kpa)
- Temperature Range — 32°F to 140°F (0°C to 60°)
- Fluid — Water
- End Detail — Threaded ANSI B1.20.1
- Valve Body — Bronze
- Valve Cover — Bronze
- Elastomers — Silicone
- Diaphragms: Silicone,
Fabric Reinforced
- Springs — Stainless Steel

Model 820 (1/4", 3/8", 1/2") Flow Curve

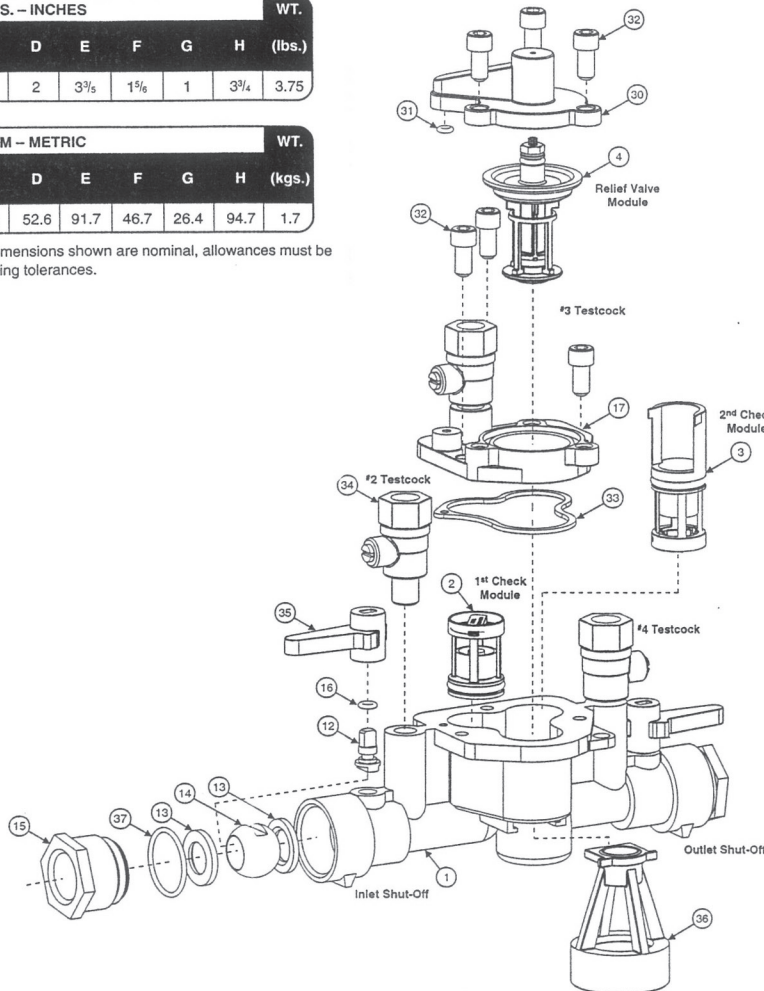


Dimensions and Weights

| U.S. - INCHES | | | | | | | | WT. | |
|---------------|-------------------------------|-------------------------------|-------------------------------|---|-------------------------------|-------------------------------|---|-------------------------------|--------|
| Size | A | B | C | D | E | F | G | H | (lbs.) |
| ALL | 7 ³ / ₈ | 7 ¹ / ₈ | 4 ¹ / ₈ | 2 | 3 ³ / ₈ | 1 ¹ / ₈ | 1 | 3 ³ / ₄ | 3.75 |

| MM - METRIC | | | | | | | | WT. | |
|-------------|-------|-------|------|------|------|------|------|------|--------|
| Size | A | B | C | D | E | F | G | H | (kgs.) |
| ALL | 193.3 | 181.9 | 20.3 | 52.6 | 91.7 | 46.7 | 26.4 | 94.7 | 1.7 |

Weights are approximate. Dimensions shown are nominal, allowances must be made for normal manufacturing tolerances.



| Item | Description |
|------|------------------------------|
| 1 | Body |
| 2 | 1 st Check Module |
| 3 | 2 nd Check Module |
| 4 | Relief Valve Module |
| 12 | Ball Valve Stem |
| 13 | Ball Seal |
| 14 | Ball |
| 15 | Tailpiece |
| 16 | O-Ring |
| 17 | Cover |
| 30 | Relief Valve Cover |
| 31 | O-Ring |
| 32 | Cap Screw |
| 33 | Cover Seal |
| 34 | Testcock |
| 35 | Handle |
| 36 | Airgap Drain |
| 37 | O-Ring |