

FEBCO 835B

SIZE

3/4", 1", 1 1/2", 2"

DESCRIPTION

This was a reduced pressure assembly. It was produced from approximately 1973 to 1978. The original version was the Model 835. It was redesigned by changing the mounting of the relief valve to the bottom of the check body. The 835B design has the relief valve mounted underneath the first check body and can be removed from the check body. It utilizes an external relief valve sensing line. It was a bronze bodied unit. The check covers screwed into the body. The checks are an in-line design similar to the 805. All springs are contained when the covers are removed. Spring tension has to be released for proper repair. Check seats are not replaceable. The relief valve seat is replaceable.

BASIC REPAIR KIT

The repair kit contains all rubber discs, diaphragm, and O-rings.

<u>SIZE</u>	<u>KIT NO</u>
3/4"-1"	835100 *◆
1 1/2"-2"	835200 *◆

IMPORTANT FEATURES

- ~Bronze body
- ~In-line check design
- ~Springs are contained
- ~External relief valve sensing line
- ~Check seats are not replaceable
- ~Factory repair information enclosed

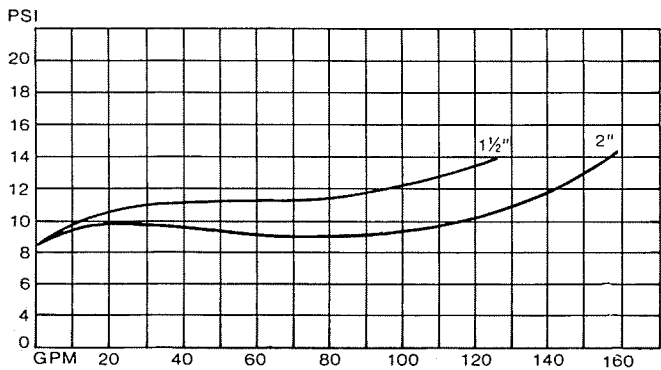
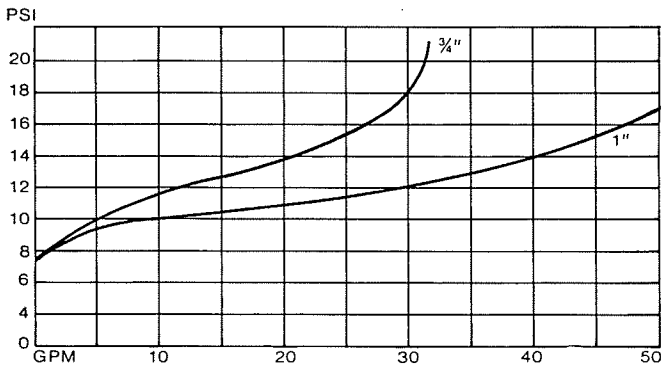


Product Specifications

Characteristics

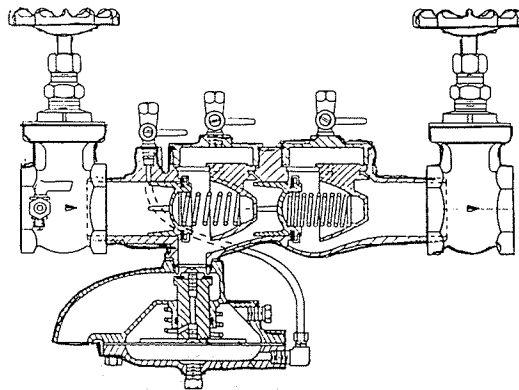
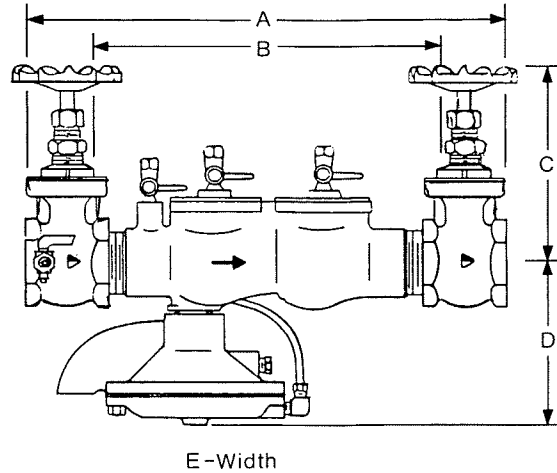
Maximum working pressure	150 PSI
Hydrostatic test pressure	300 PSI
Temperature range	32°F to 140°F
Fluid	Water
End detail	¾"-2": Threaded ANSI B2.1
Main valve body	Bronze ASTM B-61
Relief valve body and trim	Bronze ASTM B-61
Elastomers	Nitrile ASTM D-2000 Diaphragm: Nitrile, fabric reinforced

Flow Loss Chart



Dimensions and Weights

Size	Dimensions					Weights	
	A	B	C	D	E	Net Weight	L-C Net Weight
¾	10	7⅞	4¼	4½	2⅝	9½	7½
1	11¼	7⅞	5⅝	4½	2⅝	10½	7½
1½	15¾	12¼	7⅞	6⅞	3⅝	26½	20
2	16¼	12¼	8½	6⅞	3⅝	29	20



CONSTRUCTION

The FEBCO No. 835 Backflow Preventer utilizes two spring loaded check valves—for maximum flow and dependable service, and one differential pressure relief valve. Each of these valves can be disassembled and repaired without being removed from the line.

The valve bodies and valve trim on all sizes is bronze. Diaphragms and 'O' rings are Hycar; Test cocks and piping are bronze and copper. These units may be ordered with or without gate valves.

The Units exceed all specifications of AWWA, Public Health Officials, Sanitary Engineers and Military requirements.

835B REDUCED PRESSURE BACKFLOW PREVENTERS

