

FLOMATIC PVB

SIZE

3/4", 1", 1 1/4", 1 1/2", 2"

DESCRIPTION

The model PVB is a pressure vacuum breaker assembly. Production began in 1995. The division that produced backflow preventers was purchased by Watts Regulator in 2011. Production of these assemblies was discontinued in 2013. The body is of bronze construction. Both seats are replaceable. The check assembly is modular in construction. The test cocks for this model are located on the ball valves and not on the assembly body. In 2006 a modification was incorporated by lengthening the top of the body. A clip was added under the air inlet module in this newer version. In 2008 Flomatic offered the Wilkins 720A in sizes 1 1/2"-2" to complement their 3/4"-1" sizes.

BASIC REPAIR KIT

Repair kit contains discs and O-rings

<u>SIZE</u>	<u>KIT NO</u>
3/4"-1"	B95RK00 ◆
1 1/2"-2"	RK2720A

IMPORTANT FEATURES

~Bronze body

~Modular check assembly

~Test cocks are mounted on ball valve

~Factory repair information enclosed



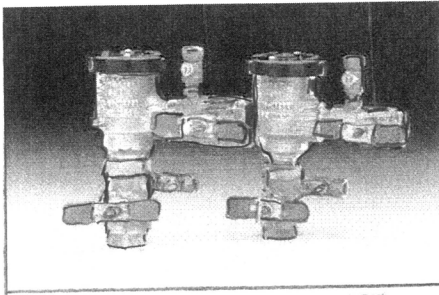
Pressure Vacuum Breaker

Specification Submittal Sheet



Danfoss Flomatic

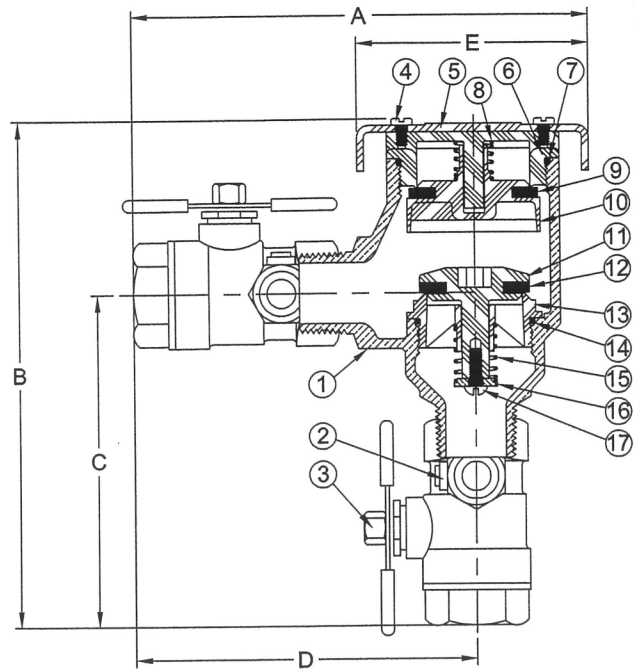
Model PVB (3/4" & 1")



Max. working pressure: 150 PSI (1200 kPa)
 Max. working temperature: 140°F (60°C)
 Hydrostatic Test Pressure: 300 PSI (2400 kPa)

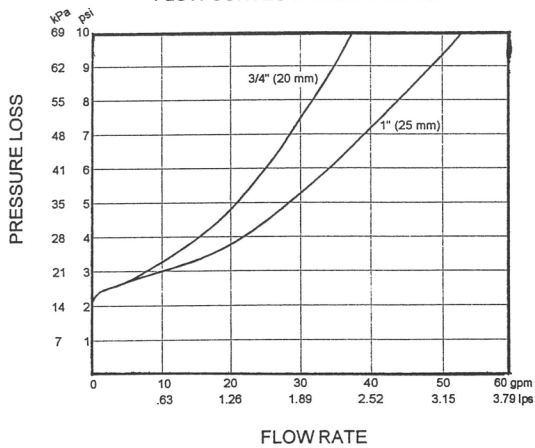
MATERIALS:

Valve Body: Bronze (ASTM B584)
 Access Cover: ABS
 Polymers: Noryl™, NSF Listed
 Elastomers: Silicone / Buna-n
 Springs: Stainless Steel



FLOW CHARACTERISTICS

FLOW CURVES w/ BALL VALVES



Size	Part #	A		B		C		D		E		Width		Wgt less BV	
		inch	mm	inch	mm	inch	mm	inch	mm	inch	mm	inch	mm	lbs	kg
3/4	B9500	6	152	6-9/16	167	4-5/16	110	4-1/2	114	3	76	3-7/8	98	3.25	1.5
3/4	B9500U	6-7/8	175	7-7/16	189	5-3/16	132	5-3/8	137	3	76	3-7/8	98	4	2
1	B9501	6-1/2	165	7-1/8	181	5-1/16	129	5	127	3	76	4	102	4.25	2
1	B9501U	7-1/2	191	8-1/8	206	6-1/16	154	6	153	3	76	4	102	5.25	2.5

Item #	Qty	Description	Material
1	1	Body	Bronze
2	1	Testcock	Bronze
3	1	Ball Valve w/ Test Boss	Bronze
4	2	Screws	Stainless Steel
5	1	Canopy	ABS
6	1	Bonnet	Noryl GFN2-780S
7	1	Bonnet O'Ring	Buna-n
8	1	Vent Spring	Stainless Steel
9	1	Vent Disc	Silicone Rubber

Item #	Qty	Description	Material
10	1	Vent Disc Holder	Polyethylene
11	1	CV Disc Holder	GFC BASF#GC25A
12	1	CV Disc	Silicone Rubber
13	1	CV Seat Ring	Noryl GFN2-780S
14	1	CV Seat O'Ring	Buna-n
15	1	CV Spring	Stainless Steel
16	1	CV Spring Retainer	Bronze
17	1	Screws	Stainless Steel

CV = Check Valve

Danfoss Flomatic can accept no responsibility for possible errors in catalogues, brochures and other printed material. Danfoss Flomatic reserves the right to alter its products without notices. This also applies to product already agreed. All trademarks in this material are property of the respective companies. Danfoss and the logotype are trademarks of Danfoss A/S. All right reserved.



FEATURES:

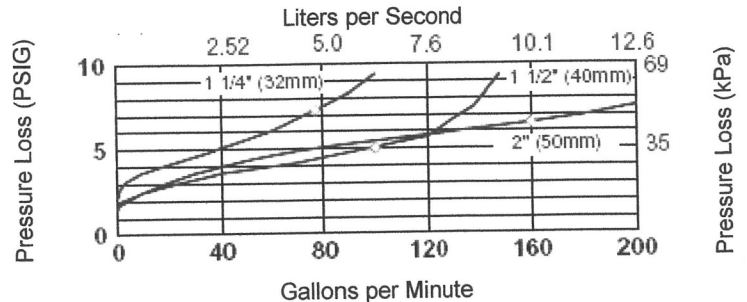
Sizes: □1-¼" □1-½" □2"

Max. working pressure: 150 PSI (1200 kPa)
 Max. working temperature: 110°F (43°C)
 Hydrostatic Test Pressure: 300 PSI (2400 kPa)

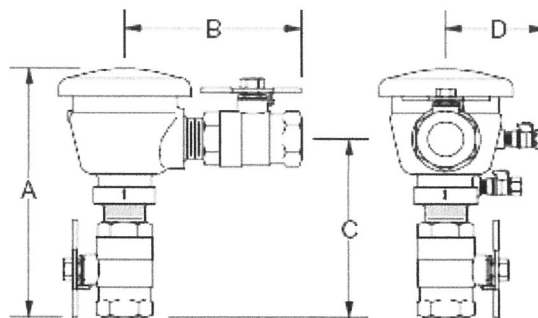
MATERIALS:

Valve Body: Bronze (ASTM B584)
 Fasteners: Stainless Steel (300 series)
 Polymers: Polypropylene (FDA approved)
 Delrin (FDA approved)
 Elastomers: Silicone (FDA approved)
 Buna-n (FDA approved)
 Springs: Stainless Steel (300 series)

FLOW CHARACTERISTICS



◇ RATED FLOW
 (Established by Approval Agencies)



Size		Part #	A		B		C		D		Wgt w/ BV		Wgt no BV	
Inch	mm		Inch	mm	Inch	mm	Inch	mm	Inch	mm	lbs	kg	lbs	kg
1-1/4	32	B9502	10-13/16	275	7-1/4	184	7-1/4	184	4-1/2	114	20	9	14	6.4
1-1/2	40	B9503	10-3/8	264	6-7/8	175	6-7/8	175	4-1/2	114	20	9	14	6.4
2	50	B9504	11	279	7-1/2	191	7-5/8	194	4-1/2	114	26	10.4	14	6.4