

ORION 80-0070

ORION 9-2930

SIZE

1 1/2", 2"

DESCRIPTION

This is a double check assembly. Production was originally under the Toro name and began approximately in 1976. Orion bought this design and produced it from 1980-2000. Febco bought the rights to produce this design in 2000 and discontinued it in 2001. These assemblies use a vertical piping configuration where water goes in the bottom and comes back down out of the bottom. The unit has a bronze body base with a stainless steel cover which

BASIC REPAIR KIT

Modular repair kit contains first and second check modules and cover O-ring

<u>SIZE</u>	<u>KIT NO</u>
1 1/2"-2"	900-41 * ◆

Rubber repair kit contains all rubber discs, O-rings, and gaskets

<u>SIZE</u>	<u>KIT NO</u>
1 1/2"-2"	80-0624 ◆

IMPORTANT FEATURES

- ~Vertical piping orientation
- ~Replaceable check seats
- ~Contained check springs
- ~Modular check construction



ORION

Backflow Preventers 1½" & 2"

Double Check Model

for protection of potable water supply systems when cross-connected to low hazard substances.

Characteristics

Compact-lightweight-requires less space.

Minimal pressure loss.

Internal parts of corrosion-resistant engineering plastic.

Easy in-line maintenance.

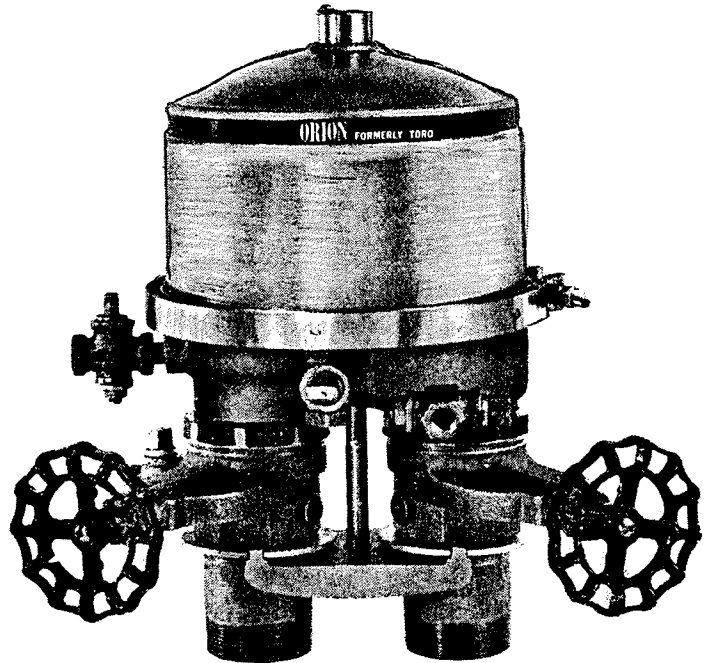
Operating pressure 150 psi.

Operating temperature 150°F maximum.

Meets performance specifications of AWWA C-506.

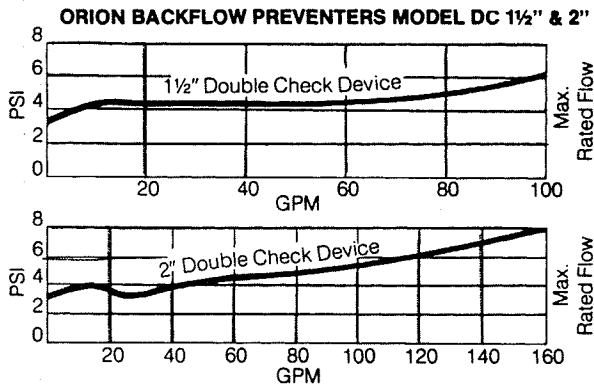
Approved by USC Foundation for Cross Connection Control.

I.A.P.M.O., A.S.S.E. and S.B.C.C.I. Listed



1½" Model No. 80-0070

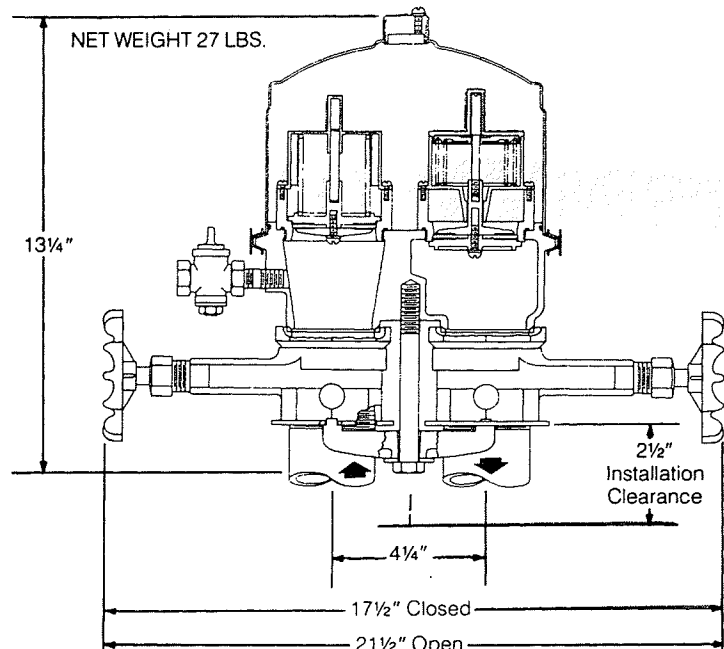
2" Model No. 9-2930



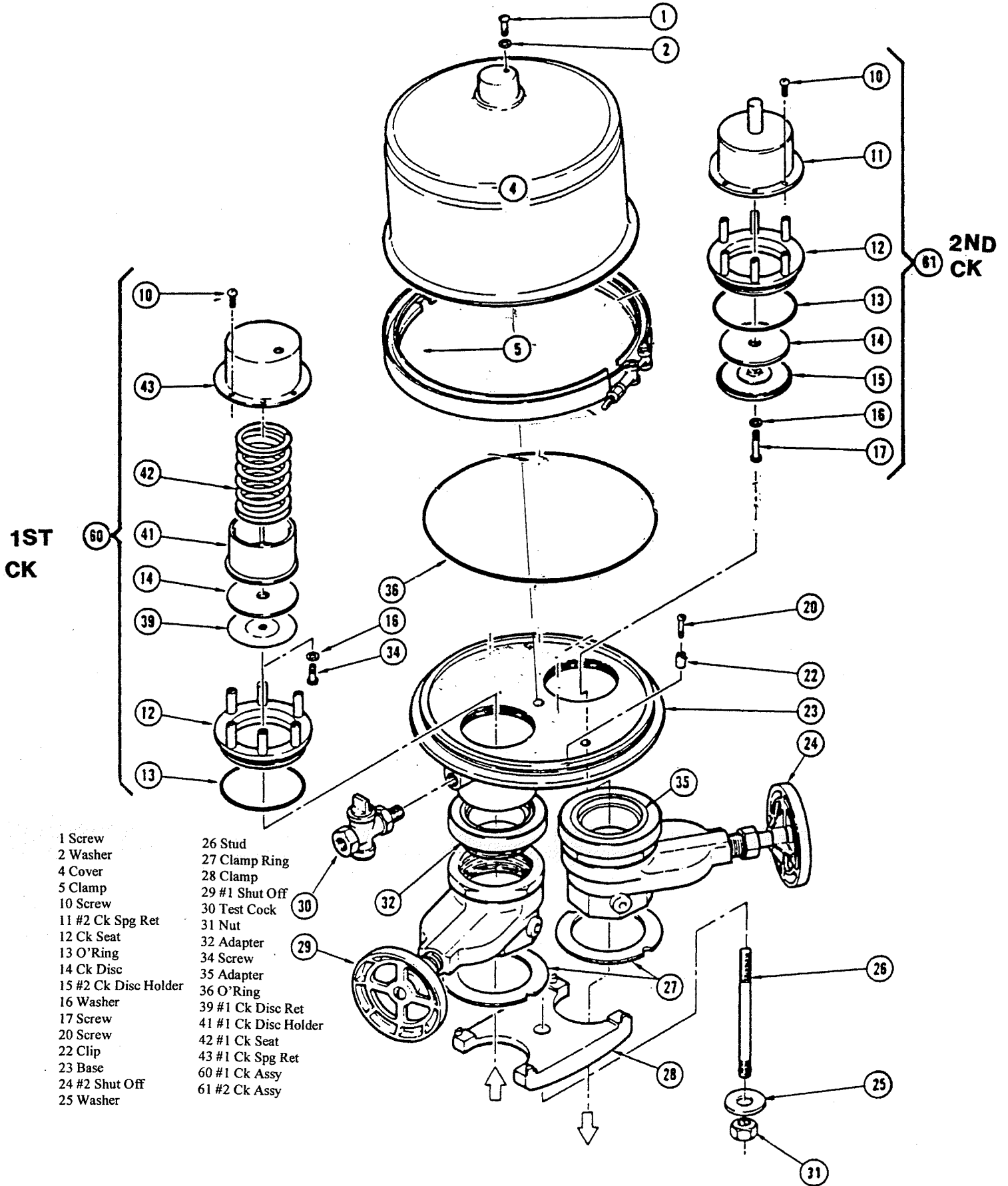
Purchasing Specifications

The preventer(s) shall consist of a copper alloy base fitted with two check valves (and a relief valve*). The unit housing shall be quickly and easily removable for in-line servicing of check valves (and relief valve), each of which shall be a modular construction permitting replacement without subsequent field adjustment. The preventer(s) shall be equipped with shut-off valves on the up-stream and down-stream ports. The check valves shall be of the poppet type. (The relief valve shall include a stainless steel spring coupler to prevent spitting caused by pressure variation.) The preventer shall be equipped with four test cocks suitably placed for field testing the device.

*Words enclosed by parentheses apply only to reduced pressure devices.



ORION INDUSTRIES



1ST
CK

2ND
CK

- 1 Screw
- 2 Washer
- 4 Cover
- 5 Clamp
- 10 Screw
- 11 #2 Ck Spg Ret
- 12 Ck Seat
- 13 O'Ring
- 14 Ck Disc
- 15 #2 Ck Disc Holder
- 16 Washer
- 17 Screw
- 20 Screw
- 22 Clip
- 23 Base
- 24 #2 Shut Off
- 25 Washer
- 26 Stud
- 27 Clamp Ring
- 28 Clamp
- 29 #1 Shut Off
- 30 Test Cock
- 31 Nut
- 32 Adapter
- 34 Screw
- 35 Adapter
- 36 O'Ring
- 39 #1 Ck Disc Ret
- 41 #1 Ck Disc Holder
- 42 #1 Ck Seat
- 43 #1 Ck Spg Ret
- 60 #1 Ck Assy
- 61 #2 Ck Assy