

# ROCKWELL 711

## SIZE

1 1/2", 2", 2 1/2", 3", 4", 6"

## DESCRIPTION

The Rockwell 711 is a double check assembly. It was produced from approximately 1972 to 1978. It is a bronze body unit. Check seats were replaceable. Check springs were not contained when the check covers were removed. Most internal hardware parts are made of bronze.

## BASIC REPAIR KIT

The repair kit contains all rubber discs, gaskets, O'rings, rollers, and washers.

<u>SIZE</u>	<u>KIT NO</u>
1 1/2"	711-204 * ◆
2"	711-204 * ◆
2 1/2"	711-304 * ◆
3"	711-304 * ◆
4"	711-404 * ◆
6"	711-604 * ◆

## IMPORTANT FEATURES

~ *Bronze body*

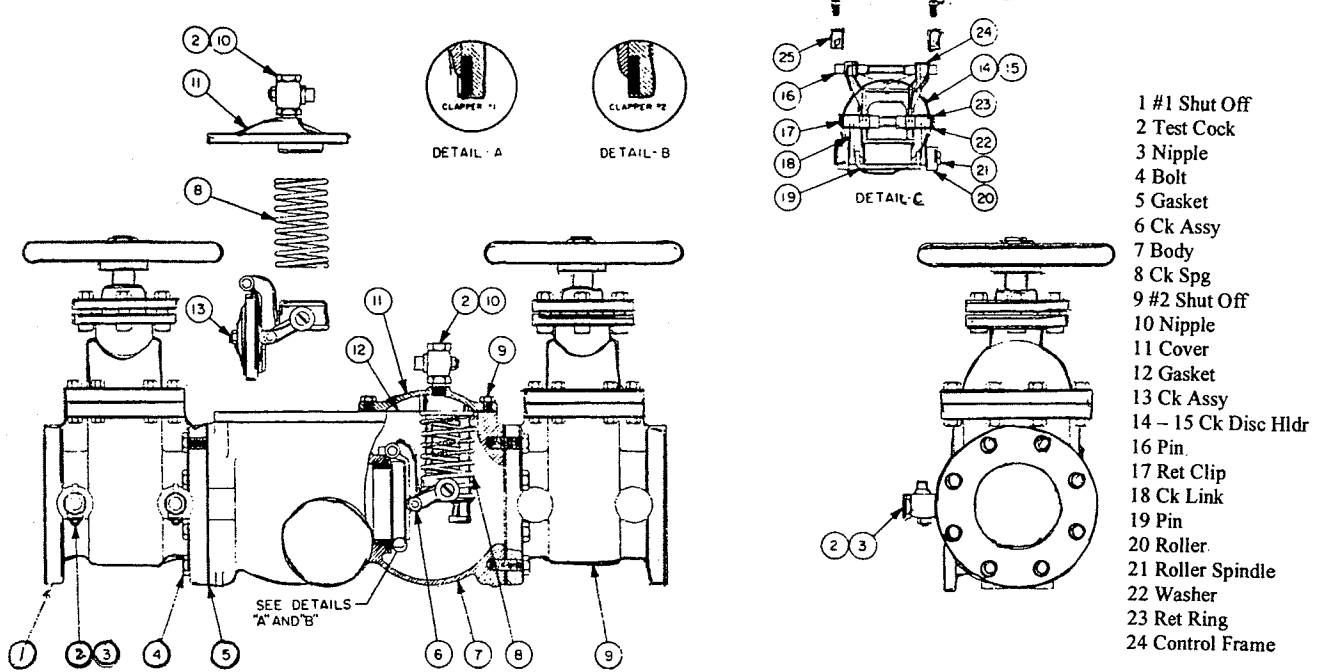
~ *Replaceable seats*

~ *Springs are not contained*

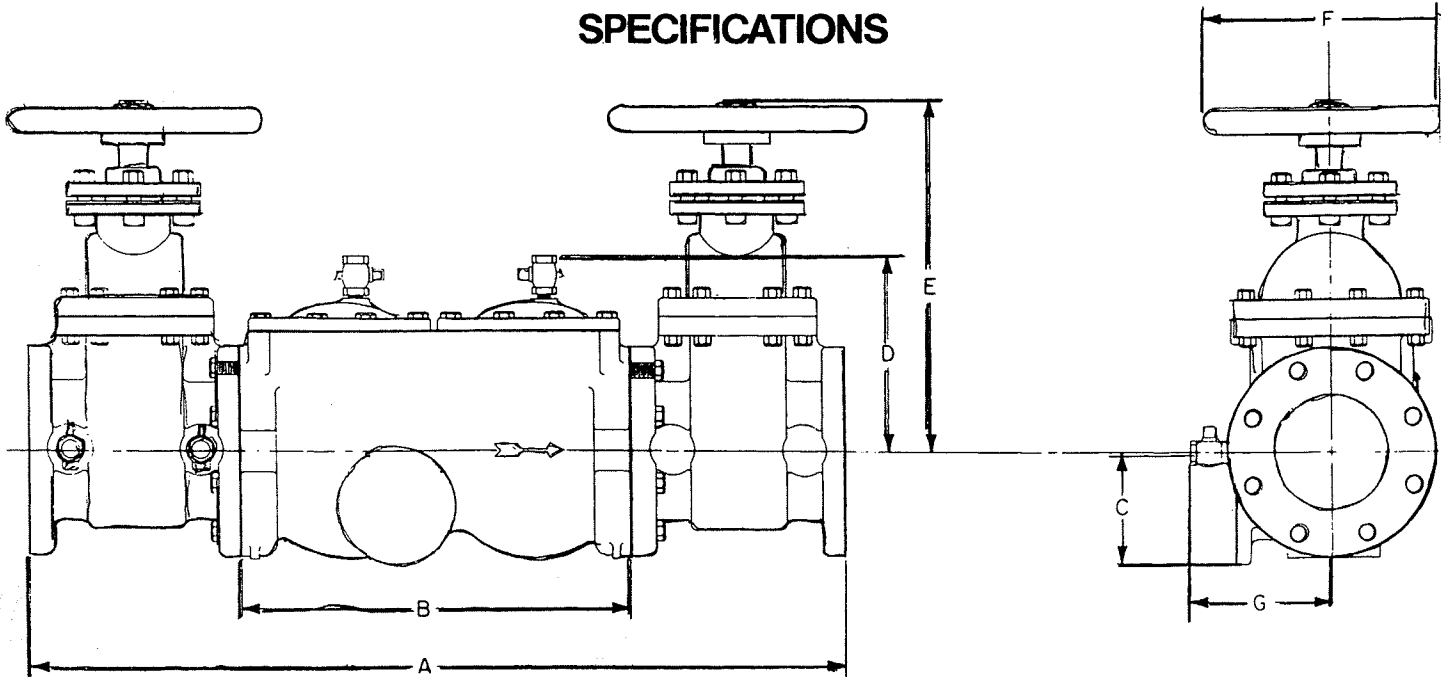
~ *Factory repair information available*



# ROCKWELL "DOUBLE CHECK"



## SPECIFICATIONS



SIZE (IN.)	1½	2	2½	3	4	6	8	10
A	25¼		30¼	35				
B	11		14	16½				
C	3¾		3¾	4¾				
D	6¾		8	9¼				
E	11		12¾	15½				
F	6		8	11				
G	5		5¾	6½				
WT. WITHOUT VALVES (LB.)	50		95	135				
WT. WITH VALVES (LB.)	125		240	355				

FLOW CHARACTERISTICS		
SIZE (IN.)	RATE (GPM.)	HEAD LOSS (PSI)
1½	100	
2	160	8.4
2½	225	
3	320	6.2
4	500	5.0
6	1000	
8	1600	
10	2300	

WORKING PRESS.—150 PSI  
 HYDROSTATIC TEST PRESS.—300 PSI  
 MAXIMUM TEMP.—150°F