

# WATTS 770 DCDA

# WATTS 772 DCDA

## SIZE

4", 6", 8", 10"

## DESCRIPTION

This is a double check detector assembly. This model was produced from 1993-1997. The main valve unit is similar to the 770/772 series. The bypass unit utilizes the 007M1 3/4" assembly.

## BASIC REPAIR KIT

Main line repair kit contains clapper plates, gaskets, and O-rings.

<u>SIZE</u>	<u>KIT NO</u>
4" 770DCDA	770-RT400
4" 772DCDA	770-RT400
6" 770DCDA	770-RT600
6" 772DCDA	770-RT600
8" 770DCDA	770-RT800
8" 772DCDA	770-RT600
10" 772DCDA	770-RT800

Bypass repair kit contains discs and O-rings

<u>SIZE</u>	<u>KIT NO</u>
3/4" 007M1	007M1-RT075

## IMPORTANT FEATURES

*~Main line assembly see 770/772*

*~Bypass assembly see 007M1*

*~Factory repair information enclosed*



# Series 770DCDA DOUBLE CHECK DETECTOR ASSEMBLY BACKFLOW PREVENTER

Sizes: 4", 6", 8"

Series 770DCDA is designed for superior performance in protecting the potable water supply from backflow from fire sprinkler systems and identifying system leaks or unauthorized water usage. Water purveyors are mandated by federal law to maintain the drinking water supply within EPA standards. Non-potable piping systems such as fire sprinkler lines present a potential hazard due to backflow without proper backflow prevention.

**BENEFITS:** Detects system leaks . . . with emphasis on the cost of unaccountable water; incorporates a meter which allows the water utility to:

- Detect leaks that waste significant amounts of water.
- It provides a detection point for unauthorized use, helping to locate illegal taps.

## MODULAR DESIGN

Modular check design concept facilitates maintenance and assembly access. All sizes are standardly equipped with resilient seated OS&Y gate valves,  $\frac{5}{8}$  x  $\frac{3}{4}$  GPM (gallons per minute) or CFM meter and ball type test cocks.

## FEATURES

- Body construction fused epoxy coated ductile iron
- Replaceable bronze seats
- Stainless steel internal parts
- Maximum flow at low pressure drop for fire systems
- Compact for ease of installation
- Design simplicity for easy maintenance
- Furnished with  $\frac{5}{8}$  x  $\frac{3}{4}$  bronze GPM meter

## MATERIALS

Epoxy coated ductile iron body, bronze replaceable seats, 300 Series stainless steel chemically resistant rubber check valve discs. Stainless steel check components cover bolts.

### Suffix:

- OSYRW - resilient wedge OS&Y shut-off valves (standard)
- GPM - gallons per minute meter

### OPTIONS: (options can be combined)

- CFM - cubic feet per minute meter.
- RR - remote reading meter

## PRESSURE - TEMPERATURE

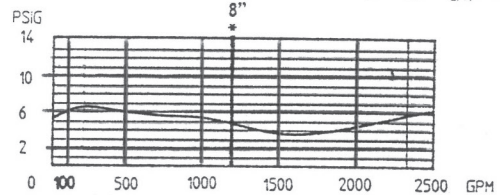
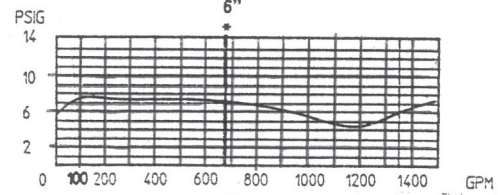
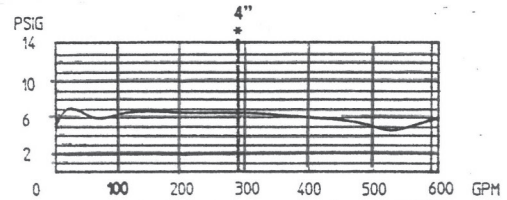
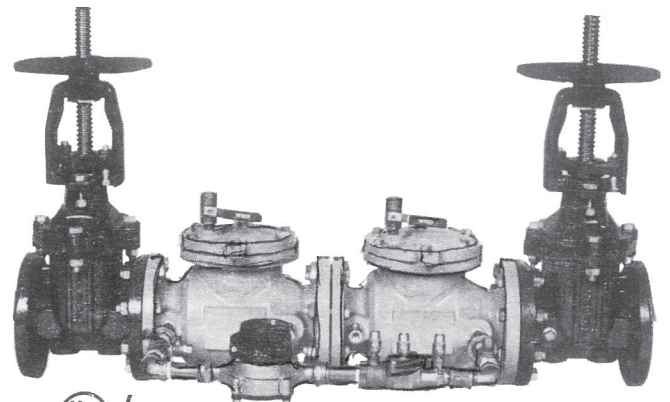
Suitable for supply pressures up to 175 PSI and water temperatures to 110°F continuous, 140°F intermittent.

## STANDARDS



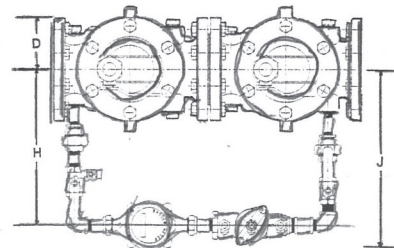
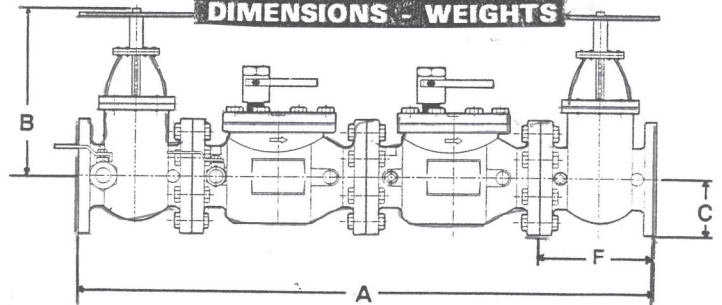
Meets or exceeds the following: ASSE, CSA B64.5, UL and FM. Size 4" & 8" approved by the Foundation for Cross-Connection Control and Hydraulic Research at the University of Southern California.

All performance data as established by independent testing laboratories.



\*Typical maximum system flow rate (7.5 feet/sec.)

## DIMENSIONS - WEIGHTS



Size	Type	A	B	C	D	F	H	J	Weight (lbs.) Approx. Each
4"	770DCDAOSYRW	47.13	23.38	4.50	5.81	9.00	14	16	353
6"	770DCDAOSYRW	58.50	30	5.50	7.38	10.50	16	18	670
8"	770DCDAOSYRW	70.38	40	6.75	8.81	11.50	18	20	1121