

WATTS 800 M2

WATTS 800 M3

SIZE

M2 - 1/2", 3/4", 1", 1 1/4", 1 1/2", 2"

M3 - 1/2", 3/4"

DESCRIPTION

This is a pressure vacuum breaker assembly. Produced from 1991-1994. This is a bronze bodied unit. The check spring is contained when the bonnet is removed. The check seats are not replaceable. The test cocks for these models are all located on the ball valve and not on the body.

BASIC REPAIR KIT

Repair kit contains all rubber discs and O-ring.

SIZE

1/2"-1" M2

1/2" -3/4" M3

1 1/4" -2" M2

KIT NO

800M2-RT050

800M3-RT050

800M2-RT125

IMPORTANT FEATURES

~Bronze body

~Contained check spring

~Test cocks are mounted on the ball valve



Series 800M3-QT/800M2-QT

ANTI-SIPHON PRESSURE VACUUM BREAKERS

This valve is designed to prevent backsiphonage of contaminated water into a potable water supply. The valve is ideally suitable for turf irrigation systems, industrial process water systems and other continuous pressure piping system applications where the water enters the equipment at or below its flood rim. The disc float and check valve are suitable for temperatures up to 140°F. The resilient sealing float O'Ring seal and check seat disc are silicone rubber which is resistant to heat, shock and chemical attack.

MATERIALS

Hood	_____	Acetal
Bonnet	_____	Acetal
Vent Disc	_____	Silicone Rubber
Disc Holder Float	_____	Polypropylene
Check Valve Disc	_____	Silicone Rubber
Check Valve Seat	_____	Bronze
Body	_____	Bronze

PRESSURE - TEMPERATURE

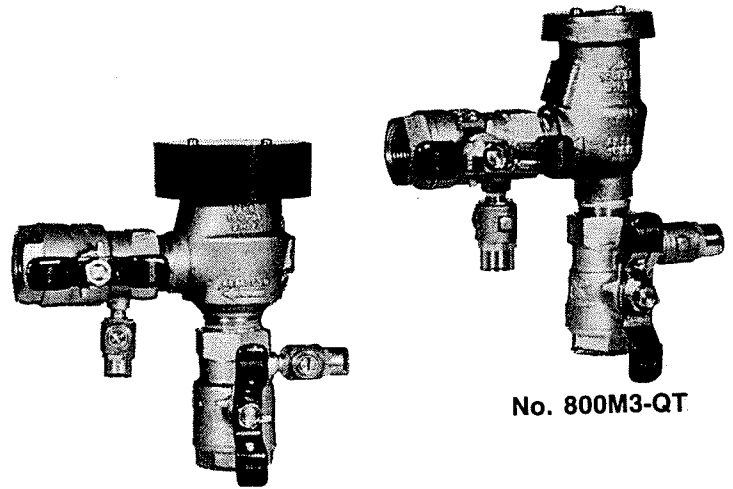
Working Temperature: 33° F to 210° F

Max. Pressure _____ 150 PSI

Min. Pressure _____ 15 PSI

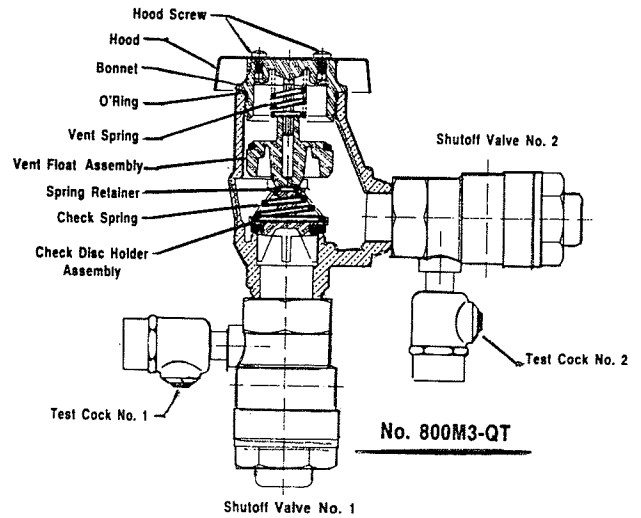
FEATURES

- Easy maintenance of internal parts.
- Acetal bonnet to act as "freeze plug" to prevent body damage.
- O'Ring bonnet seal for less possibility of fouling.
- Silicone seat discs for durability.
- Test cocks for easy testing and draining.
- Compact space saving design.
- Meets or exceeds the ASSE use requirements.
- Standardly equipped with tee handle quarter turn ball valve shutoffs ½" - 1". The 1¼" - 2" feature lever handles.
- No special tools required for servicing.
- Bronze body for durability.

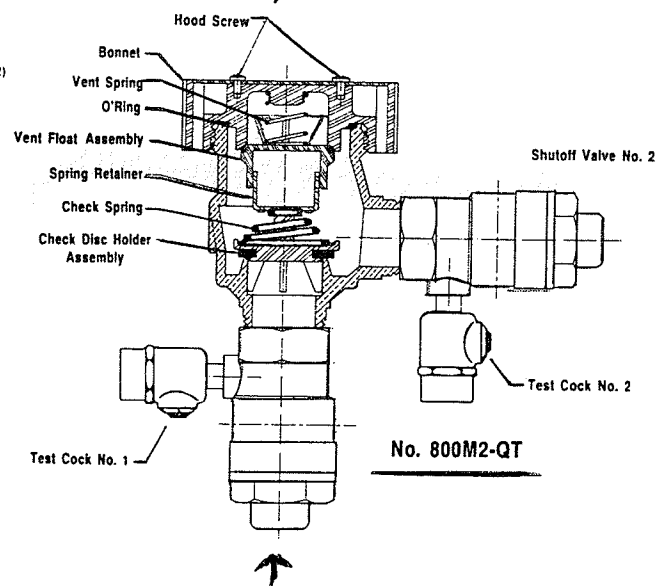


No. 800M2-QT

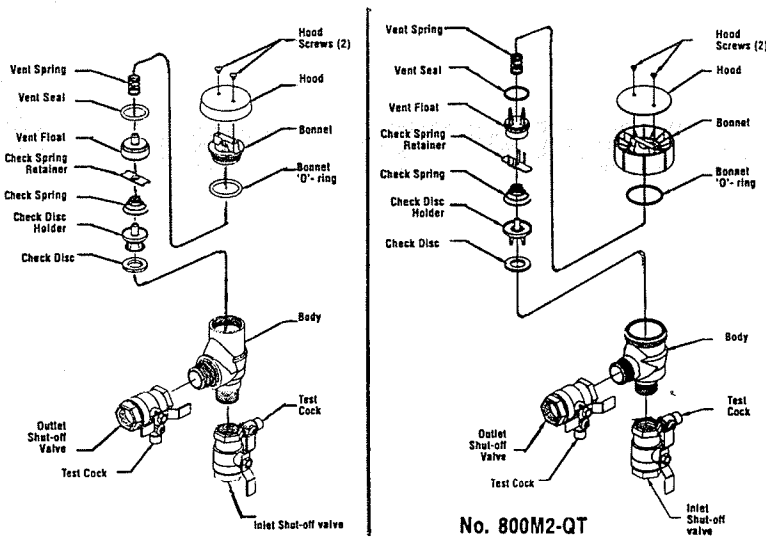
No. 800M3-QT



No. 800M3-QT



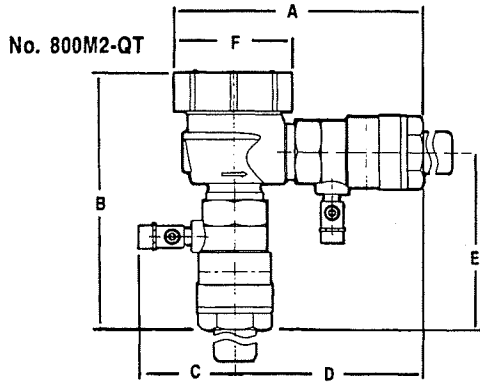
No. 800M2-QT



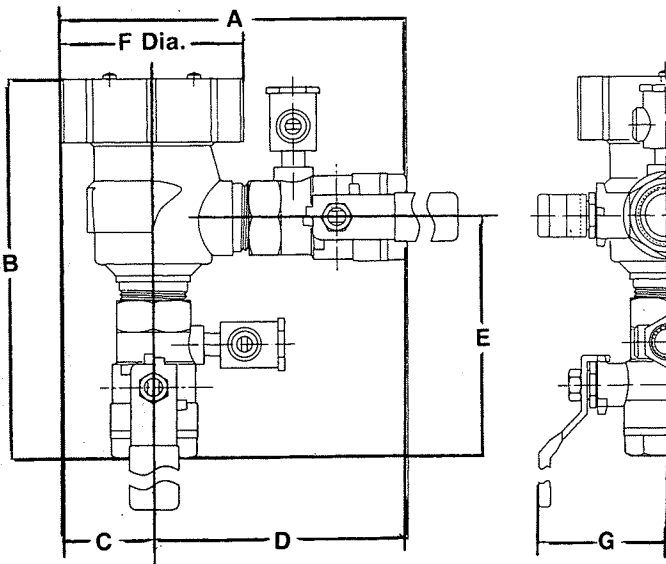
No. 800M3-QT

No. 800M2-QT

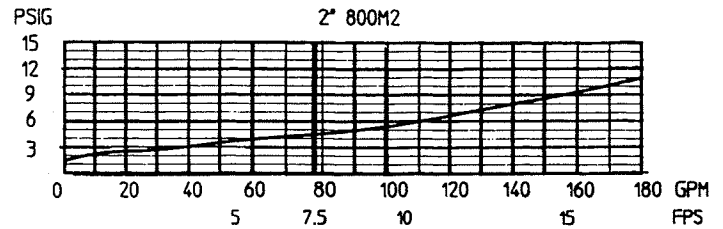
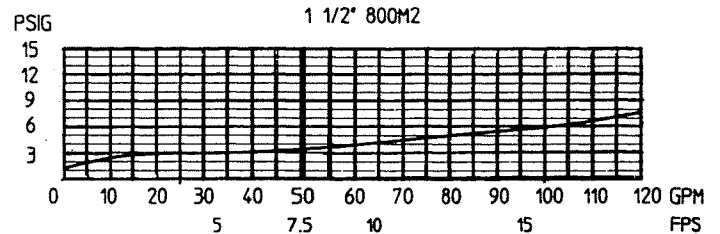
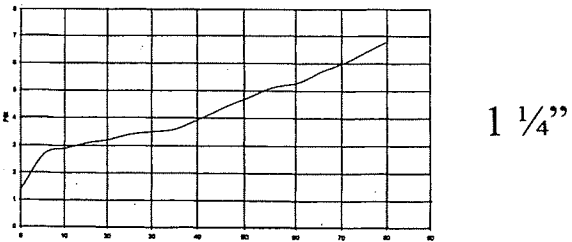
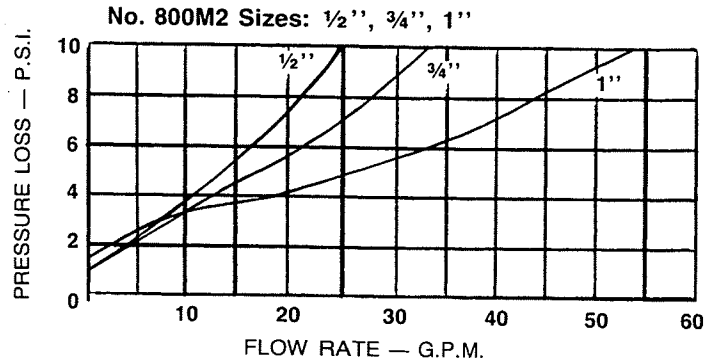
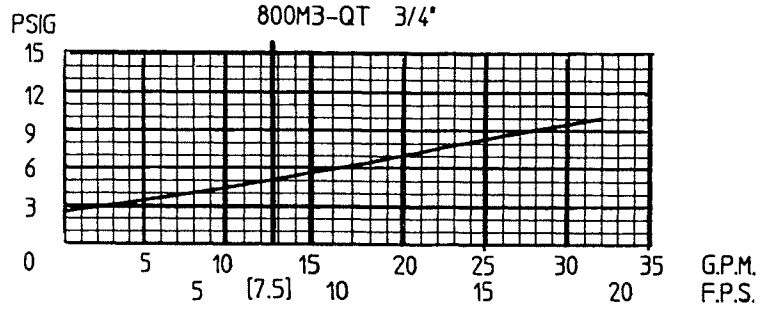
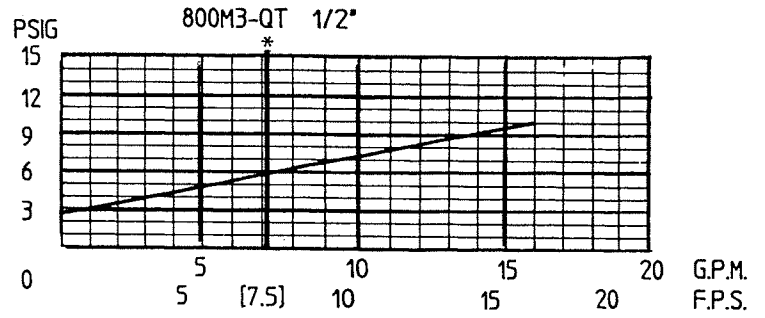
DIMENSIONS - WEIGHT



No.	Size (In.)	Dimensions (inches)						Weight (lbs.)
		A	B	C	D	E	F	
800M3-QT	1/2	4.97	6.19	2.25	3.85	3.69	2.25	3.06
800M3-QT	3/4	5.25	6.47	2.38	4.13	3.97	2.25	3.13
800M2-QT	1	4.86	7.45	2.62	3.16	2.69	3.40	5
800M2-QT	1 1/4	8.56	9.00	2.75	6.08	5.75	4.96	10
800M2-QT	1 1/2	8.85	9.36	2.87	6.37	6.12	4.96	13
800M2-QT	2	9.43	9.60	3.12	6.95	6.36	4.96	16



Size (In.)	Dimensions (Inches)							Weight (lbs.)
	A	B	C	D	E	F	G	
1/2, 3/4	5.25	6.47	1.12	4.13	4.50	2.25	2.07	3
1	6.63	7.28	1.75	4.88	4.60	3.52	2.50	5



* Typical maximum system flow rate (7.5 feet/sec.)