

WATTS 900

SIZE

3/4", 1", 1 1/4", 1 1/2", 2", 2 1/2", 3", 4", 6"

DESCRIPTION

This was a reduced pressure assembly. It was produced from 1970 to 1988. The 3/4"-4" was a bronze bodied unit with an in-line check design. The 3/4"-2" size had to be removed from the piping for repair. All seats were replaceable on all sizes. The first check and relief valve springs were not contained when the assembly was disassembled. Special tools were suggested to perform a repair on this model. The 4" and 6" size body were made of cast iron and also had the in-line check design. The 4" was available in either bronze or cast iron body. The cast iron versions 4"-6" were either painted epoxy coated or galvanized to minimize rust. Special tools were needed to disassemble and repair this model.

BASIC REPAIR KIT

The kit contains rubber discs, gaskets, and O-rings.

| <u>SIZE</u> | <u>KIT NO</u> | <u>AIR GAP DRAIN</u> | <u>SPECIAL TOOLS</u> |
|-------------|---------------|----------------------|---|
| 3/4" | 46BFPRK | 900AGC | The 3/4"-2" tool comes in the rubber repair kit |
| 1" | 46BFPRK | 900AGC | |
| 1 1/4" | 46BFPRK | 900AGL | |
| 1 1/2" | 48BFPRK | 900AGL | |
| 2" | 48BFPRK | 900AGL | |
| 2 1/2" | 42BFPRK | N/A | SAT900H153 |
| 3" | 42BFPRK | N/A | SAT900H153 |
| 4" | 43BFPRK | N/A | SAT900J153 |
| 6" | 44BFPRK | N/A | SAT900K153 |

IMPORTANT FEATURES

~3/4"-2" not in line repairable

~3/4"-3" bronze body

~4"-6" cast iron body

~Special tools needed for proper repair

~Factory repair information enclosed



MODEL 900

Sizes 3/4", 1", 1 1/4", 1 1/2", 2"

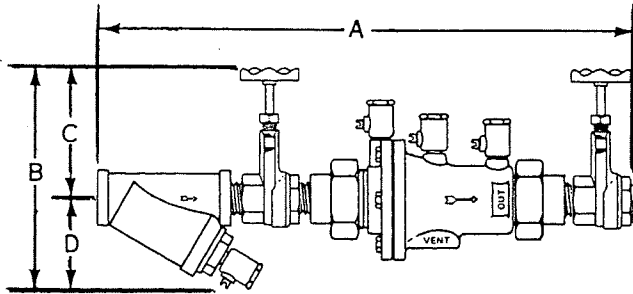
MATERIALS

Bronze body construction—stainless steel internal parts and flange bolts—durable, tight-seating rubber check valve assemblies.

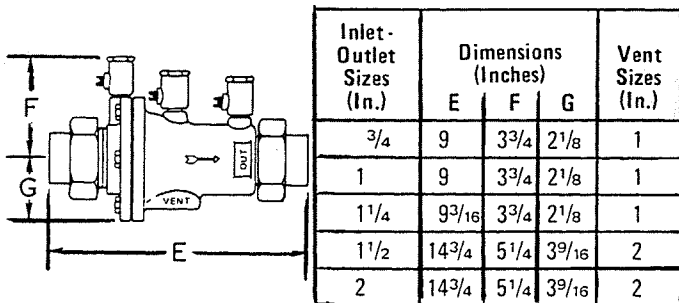
PRESSURE - TEMPERATURE

Suitable for supply pressure up to 175 psi and for supply water temperatures up to 140°F. and for emergency backflow temperatures up to 210°F. For higher operating temperature, consult factory.

DIMENSIONS - WEIGHT



| Sizes (In.) | Dimensions (Inches) | | | | Total Weight (Lbs.) |
|-------------|---------------------|---------|-------|--------|---------------------|
| | A | B | C | D | |
| 3/4 | 18 3/4 | 7 1/8 | 4 | 3 1/8 | 14 1/2 |
| 1 | 21 1/4 | 8 13/16 | 5 1/4 | 3 9/16 | 15 |
| 1 1/4 | 20 3/4 | 9 3/4 | 6 | 3 3/4 | 16 |
| 1 1/2 | 28 3/4 | 10 3/4 | 6 3/4 | 4 | 39 |
| 2 | 29 3/4 | 12 7/8 | 8 1/4 | 4 3/8 | 42 |



| Inlet-Outlet Sizes (In.) | Dimensions (Inches) | | | Vent Sizes (In.) |
|--------------------------|---------------------|-------|--------|------------------|
| | E | F | G | |
| 3/4 | 9 | 3 3/4 | 2 1/8 | 1 |
| 1 | 9 | 3 3/4 | 2 1/8 | 1 |
| 1 1/4 | 9 3/16 | 3 3/4 | 2 1/8 | 1 |
| 1 1/2 | 14 3/4 | 5 1/4 | 3 9/16 | 2 |
| 2 | 14 3/4 | 5 1/4 | 3 9/16 | 2 |

STANDARDS

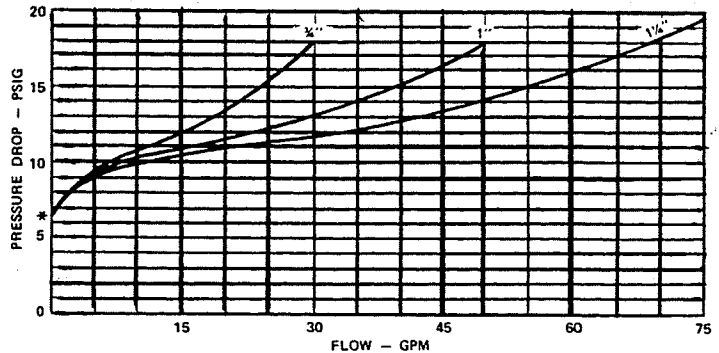
Tested by Factory Mutual Research Corp. and certified by the American Society of Sanitary Engineering Standard 1013-1971 for reduced pressure principle backflow preventers. Meets performance requirements of A.W.W.A. Standard C506



39769
SA
Certified thru 2"

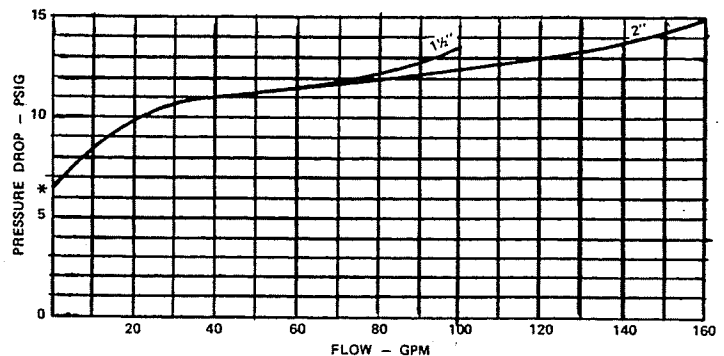
CAPACITY

NO. 900 SIZES 3/4", 1", 1 1/4"



* OPENING PRESSURE

NO. 900 SIZES 1 1/2", 2"



| Size of Device | Rated Flow | Maximum Allowable Pressure Loss at Rated Flow | Actual Capacity Watts No. 900 |
|----------------|------------|---|-------------------------------|
| 3/4" | 30 GPM | 20 PSI | 35 |
| 1" | 50 GPM | 18 PSI | 55 |
| 1 1/4" | 75 GPM | 18 PSI | 75 |
| 1 1/2" | 100 GPM | 16 PSI | 130 |
| 2" | 160 GPM | 16 PSI | 175 |

Table shows flow that an approved device must deliver based on maximum allowable pressure drops shown. These performance requirements are specified in the University of Southern California "Manual of Cross Connection Control" and A.S.S.E. Standard 1013.

Watts valves have been tested under these provisions and equal or exceed these performance requirements as shown.

SPECIFICATIONS FOR REDUCED PRESSURE PRINCIPLE BACKFLOW PREVENTERS

A reduced pressure principle backflow preventer shall be installed at any cross connection to prevent the backflow of contaminated water into the potable water supply. It shall be a complete assembly including tight-closing shut-off valves before and after the device and also be protected by a strainer. The design shall include test cocks, a pressure-differential relief valve located between two positive seating check valves. The device, (specified or indicated on plans) shall meet the requirements of A.S.S.E. Standard 1013. Watts Regulator Company Series 900 or equal.

MODEL 900

Sizes 2½", 3", 4", 6" CAPACITY

MATERIALS

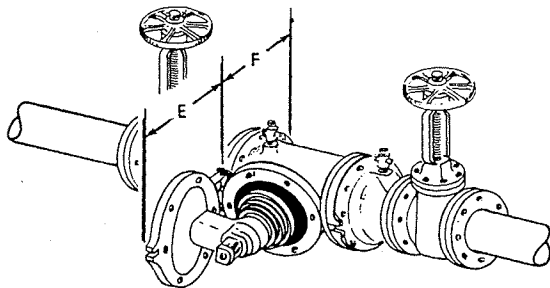
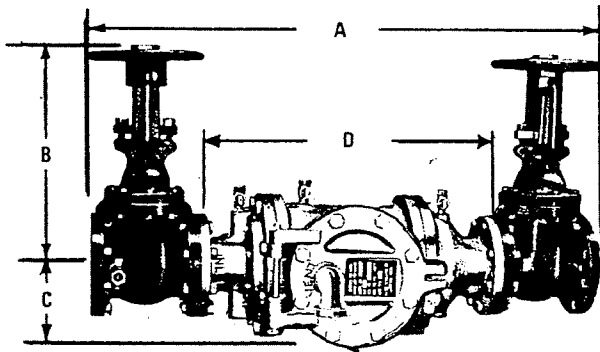
- 2½", 3" — Standard Bronze Construction
- 4" — Optional Bronze Construction
- 4", 6" — Standard Iron Construction

Iron body construction has internal waterways epoxy coated (FDA approved) — stainless steel and brass internal parts and flange bolts — durable, tight-seating rubber check valve assemblies.

PRESSURE - TEMPERATURE

Suitable for supply pressure up to 175 psi. and for water temperature up to 110°F.

DIMENSIONS - WEIGHT



| Sizes (In.) | Material | DIMENSIONS (Inches) | | | | | | Total Weight (Lbs.) |
|-------------|----------|---------------------|-----|------|--------|-------|-----|---------------------|
| | | A | B | C | D | E | F | |
| 2½ | Bronze | 36½ | 16¼ | 3½ | 21 | 9⁵⁄₁₆ | 10 | 210 |
| 3 | Bronze | 37½ | 16¼ | 3¾ | 21 | 9⁵⁄₁₆ | 10 | 240 |
| 4 | Bronze | 45¹¹⁄₁₆ | 19½ | 6½ | 27½ | 16 | 13 | 514 |
| 4 | Iron | 45¹¹⁄₁₆ | 19½ | 6½ | 27½ | 16 | 13 | 571 |
| 6 | Iron | 59⁹⁄₁₆ | 24 | 8⁵⁄₈ | 38⁷⁄₁₆ | 21 | 19½ | 1,120 |

STANDARDS



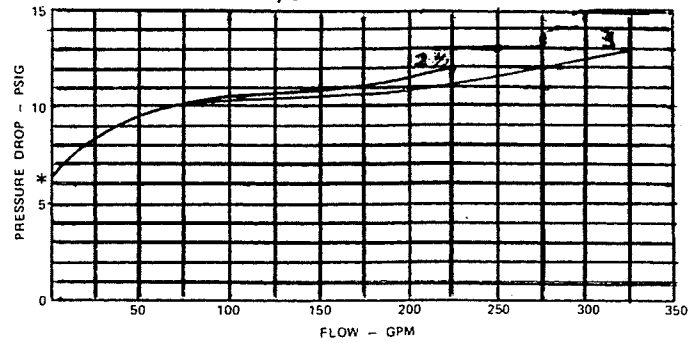
39769



Certified thru 6"

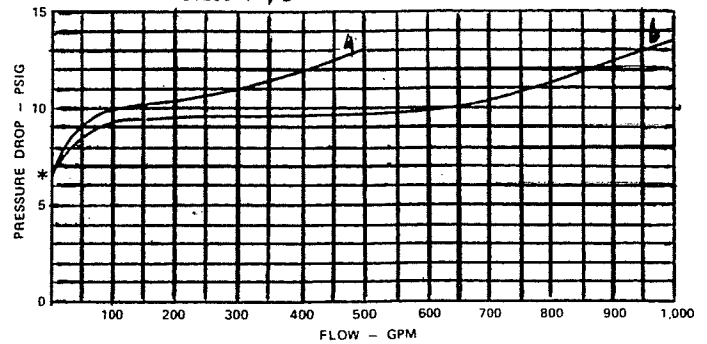
Designed to equal or exceed the requirements of A.S.S.E. standards 1013. AWWA standards C-506

No. 900 Sizes 2½", 3"



* OPENING PRESSURE

No. 900 Sizes 4", 6"

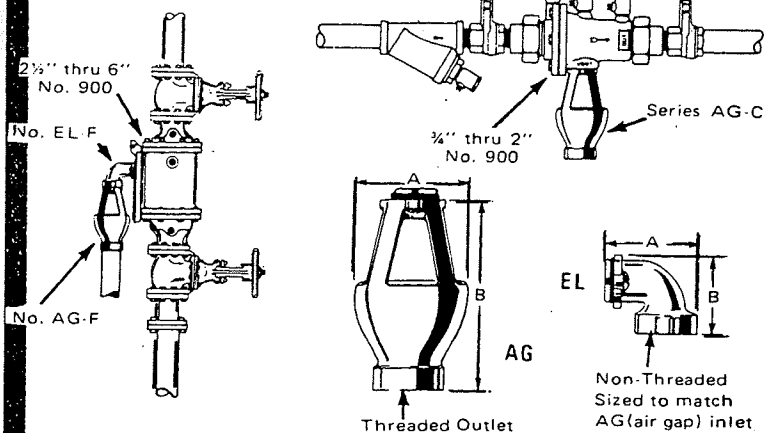


Air Gaps

| No. | Desc. | Body | Dimensions | | Weight |
|------|---------|------|------------|-----|---------|
| | | | A | B | |
| AG-C | Air Gap | Iron | 3" | 5¼" | 1½ lbs. |
| EL-C | Elbow | Iron | 2½" | 2¼" | ¾ lb. |
| AG-F | Air Gap | Iron | 4" | 7¾" | 3¼ lbs. |
| EL-F | Elbow | Iron | 4½" | 3¼" | 2 lbs. |

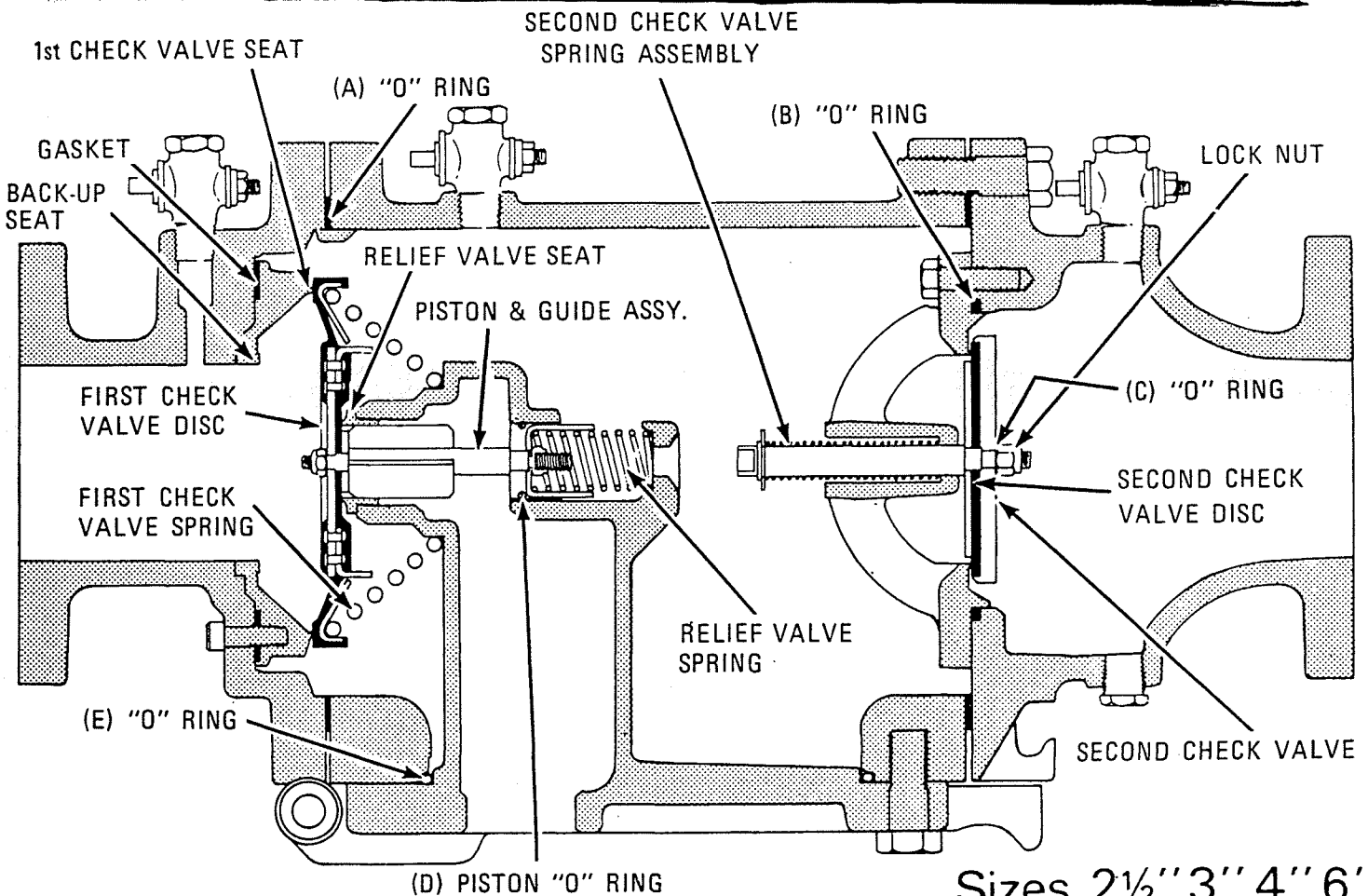
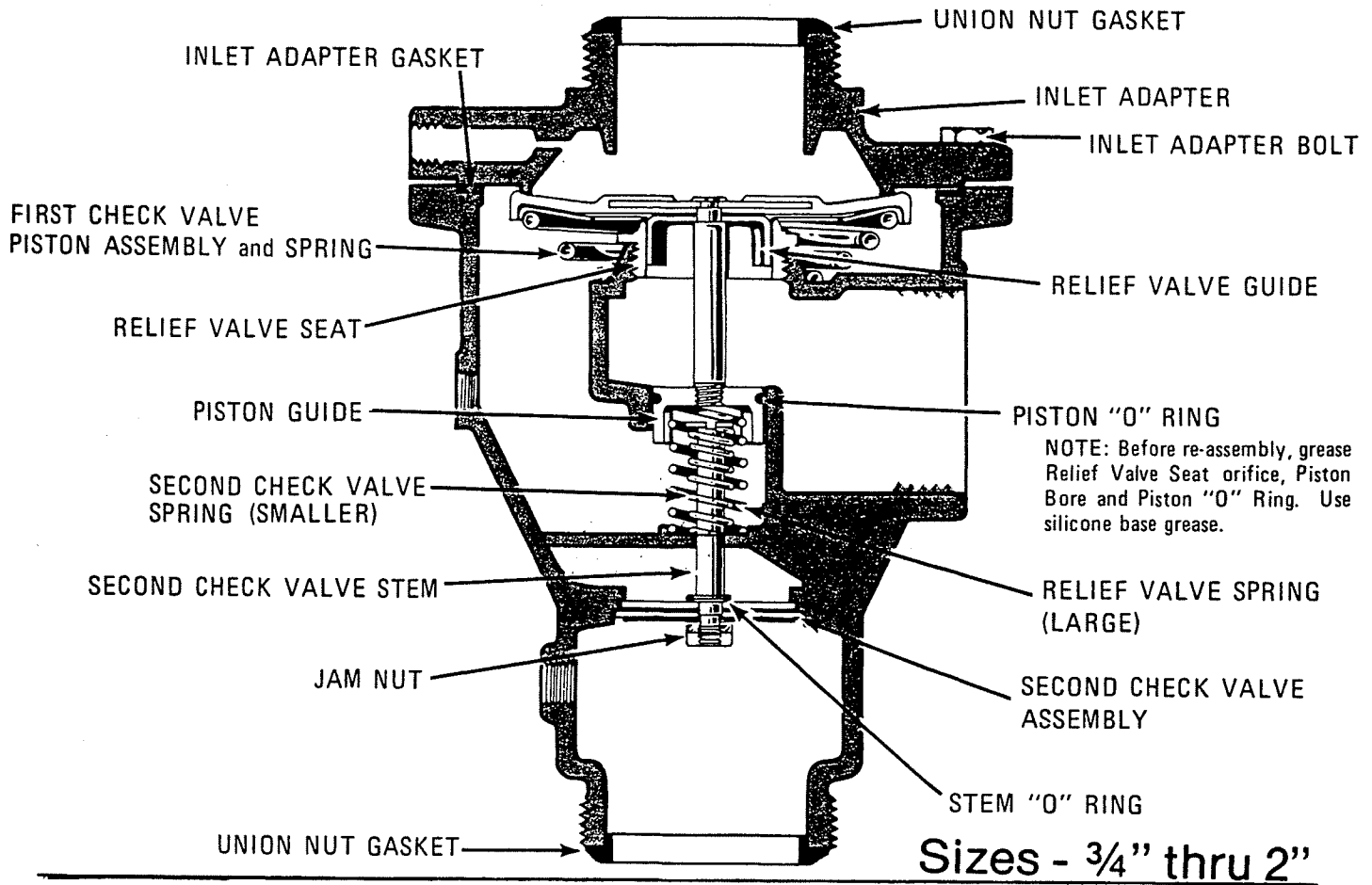
HORIZONTAL

VERTICAL



Non-Threaded Sized to match AG (air gap) inlet

900



Sizes 2 1/2", 3", 4", 6"