

WATTS 994

SIZE

2 1/2", 3", 4", 6", 8", 10"

DESCRIPTION

This is a reduced pressure assembly. Production began in 1998. In 1997 the Watts Company purchased the Ames Company and began marketing the Ames 4000 SS as the Watts 994. The body is made of stainless steel with a single access cover for the checks. The check design is modular so springs are contained and the seats are replaceable. In the 2 1/2"-6" size the check assemblies are not field repairable and the whole check module must be replaced for an average repair. The check is made of glass filled noryl and is cam operated. The 8-10" check does have a rubber disc that is field replaceable. The relief valve is attached to the check body by threads and uses an external sensing line.

BASIC REPAIR KIT

The repair kit contains first check module, second check module, bellofram, disc, and O-rings

<u>SIZE</u>	<u>KIT NO</u>
2 1/2"	994-T400
3"	994-T400
4"	994-T4000
6"	994-T600
8"-10"	994-T800

IMPORTANT FEATURES

- ~Stainless steel body*
- ~Modularized checks*
- ~Springs are contained*
- ~Factory repair information enclosed*



Series 994

Reduced Pressure Zone Assemblies

Sizes 2½" – 10" (65 – 250mm)

Features

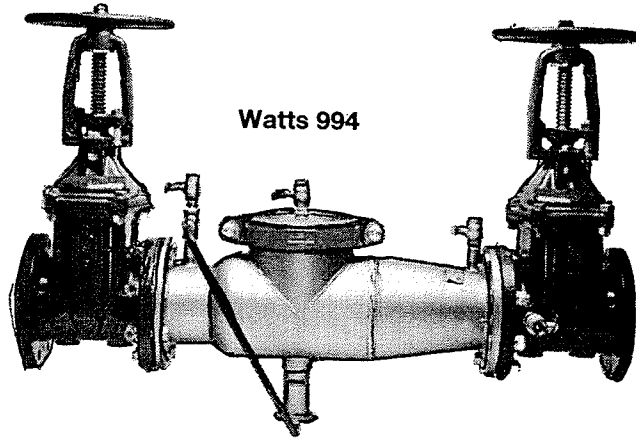
- Stainless Steel construction provides long term corrosion resistance and maximum strength
- Stainless Steel body is half the weight of competitive designs reducing installation & shipping costs
- Short end to end dimensions makes retrofit easy
- Bottom mounted relief valve reduces clearance requirements when installed against an outside wall
- Patented torsion spring check valves provides maximum flow at low pressure drop
- Thermoplastic & stainless steel check valves for trouble-free operation
- No special tools required for servicing
- Compact construction allows for smaller enclosures
- Stainless steel relief valve features a balanced rolling diaphragm to eliminate sliding seals and lower maintenance costs

MATERIALS

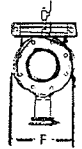
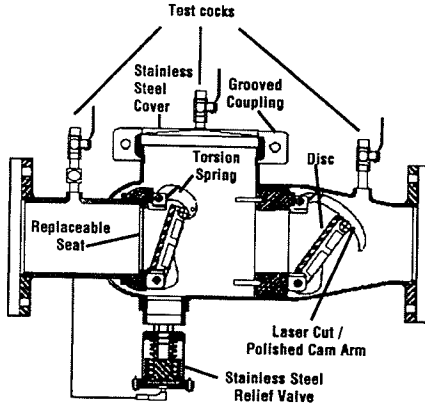
All internal metal parts: 300 Series stainless steel
 Main valve body: 300 Series stainless steel
 Check assembly: Noryl
 Flange dimension in accordance with AWWA Class D

PRESSURE - TEMPERATURE

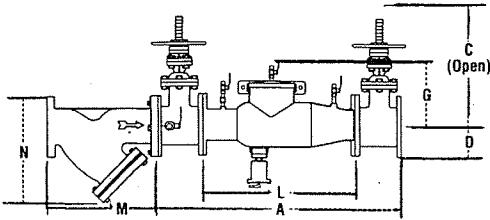
Suitable for supply pressures up to 175 psi (12.1 bars) and water temperature to 110°F (43°C) continuous.



Watts 994

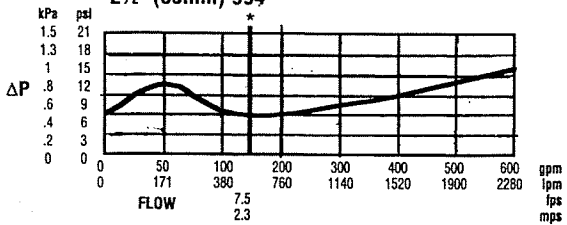


Dimensions – Weights

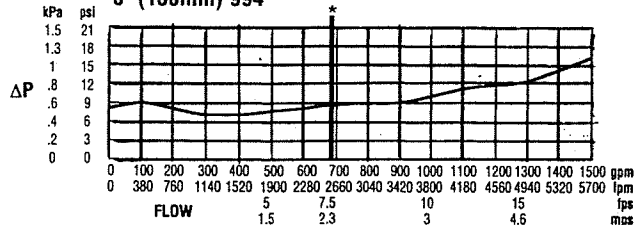


SIZE (DN)	DIMENSIONS (APPROX.)										STRAINER DIMENSIONS				WEIGHT						
	in.	mm	A	mm	C (open)	in.	mm	F	mm	G	in.	mm	M	in.	mm	N	in.	mm	w/Gates	w/o Gates	
2½	65	37	940	16½	419	10½	267	7	178	10	254	22	559	10	254	6½	165	148	67	60	27
3	80	38	965	18½	479	10½	267	7½	191	10	254	22	559	10½	257	7	178	226	103	62	28
4	100	40	1016	22½	578	10½	267	9	229	10	254	22	559	12½	308	8¼	210	235	107	65	30
6	150	48½	1232	30½	765	11½	292	11	279	15	381	27½	699	18½	470	13¾	343	380	172	110	50
8	200	52½	1334	37½	959	12½	318	13¾	343	15	381	29½	749	21½	549	15½	394	571	259	179	81
10	250	55½	1410	45½	1162	12½	318	16	406	15	381	29½	749	26	660	18½	470	773	351	189	86

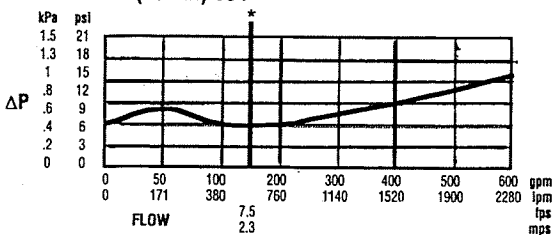
2½" (65mm) 994



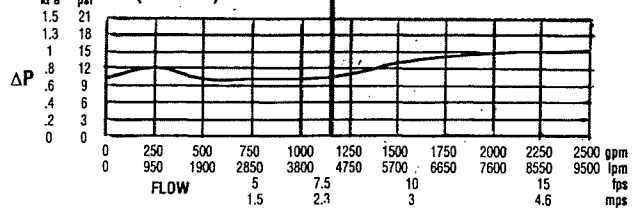
6" (150mm) 994



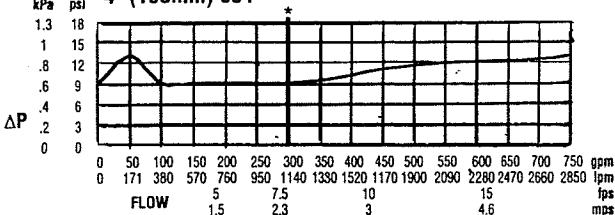
3" (80mm) 994



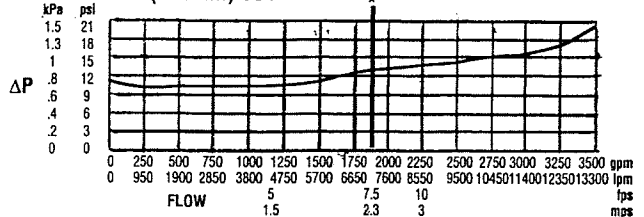
8" (200mm) 994

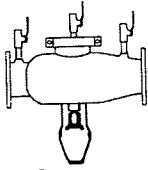


4" (100mm) 994



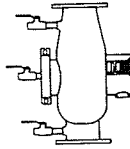
10" (250mm) 994





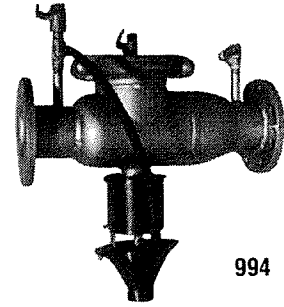
Horizontal Air Gaps

1. Remove two of the relief valve capscrews 180° apart.
2. Remove the relief valve hose from fitting below inlet ball valve.
3. From the top of the air gap, thread the relief valve hose down and out the slot.
4. Use ¼" - 20 UNC x 1" long stainless steel screws.
5. Reconnect relief valve hose to the fitting below the inlet ball valve.



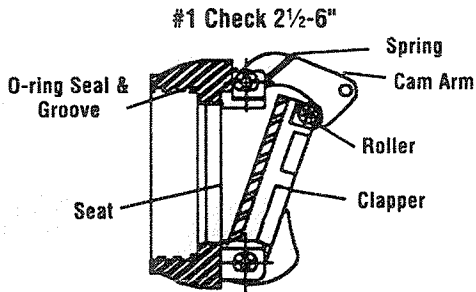
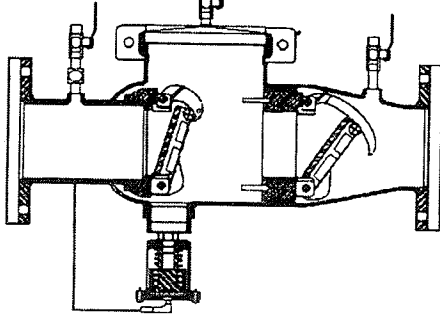
Vertical Air Gaps

1. Detach the sensing line from the inlet ball valve and the elbow on the relief valve.
2. Remove the elbows from the relief valve base.
3. Hang the Air Gap Drain on the body of the relief valve
4. Reinstall the elbow into the base of the relief valve to hold the Air Gap drain in place.
5. Install the rigid fitting end of the sensing line to the elbow on the base of the relief valve and the swivel end to the fitting on the ball valve.

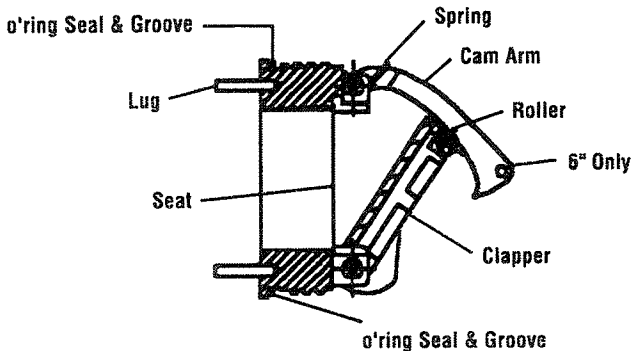


994

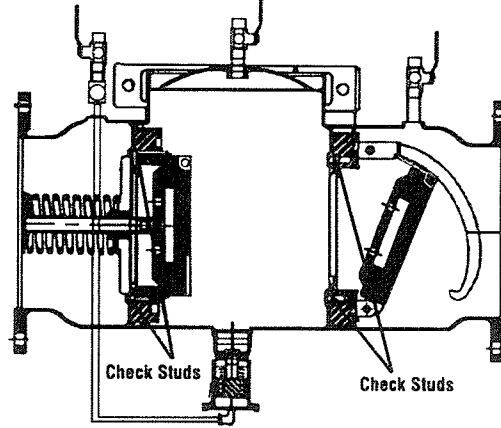
2 ½"-6"
 2 ½" - 6" checks are modular but check disc is not replaceable and the whole check module must be replaced for a repair



#2 Check

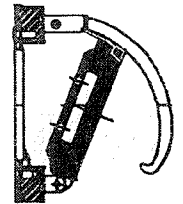
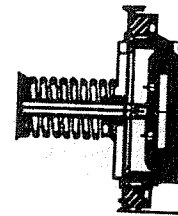


8"-10"
 8" - 12" checks are modular and the check disc is replaceable

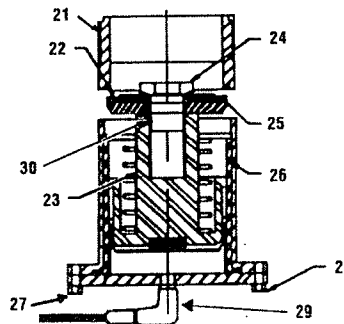


#1 Cam-Check RP

#2 Cam-Check DC & RP



Relief Valve 2 ½"-10"



Item #	Part Description
21	Relief Valve Body
22	Rubber Shut-Off Disc
23	Piston Diaphragm Assembly
24	Hex Head Bolt
25	Disc Retainer
26	Sleeve
27	Bottom Bolt
28	Bottom Flange (w st. elbow)
29	Bottom St. Ell
30	O-ring disc