

WILKINS

350 DA/ 350 ADA/ 450 DA

SIZE

2 1/2", 3", 4", 6", 8", 10", 12"

DESCRIPTION

This is a double check detector assembly. Production of the 2 1/2"-10" began in 1998. The 12" began in 2008. The mainline assembly utilizes an assembly similar to the 350 or 450. The bypass utilizes an assembly similar to the 950 XLD. The model 350 DA is a straight horizontal piping orientation and comes in sizes 2 1/2"-12". The model 450 DA is able to provide an up and down or vertical piping orientation and comes in sizes 4"-10". Repair kits will be the same for both models. In 2004 the 350 DA became available in an "A" model (e.g. 350ADA). The A model uses a grooved end valve body configuration as opposed to the flanged end valve body.

BASIC REPAIR KIT

The mainline repair kit contains discs and O-rings

<u>SIZE</u>		<u>KIT NO</u>
2 1/2"-3"	350DA/450DA	RK212-350
2 1/2"-4"	350 ADA	RK4-350
4"	350DA/450DA	RK4-350
6"	350DA/450DA	RK6-350
8"-12"	350DA/450DA	RK8-350

Bypass repair kit contains discs and O-rings

<u>SIZE</u>	<u>KIT NO</u>
3/4" 950XLD	RK34-950XLR

IMPORTANT FEATURES

~Mainline assembly see 350 or 450

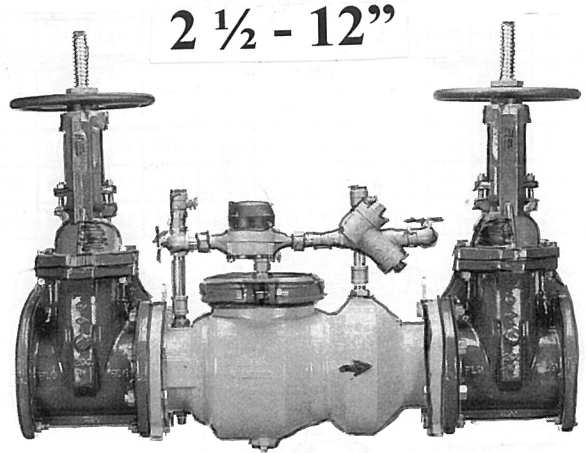
~Bypass assembly see 950XL

~Factory repair information enclosed



MATERIALS

- Main valve body — Ductile Iron ASTM A 536 Grade 4
- Access covers — Ductile Iron ASTM A 536 Grade 4
- Coatings — FDA Approved fusion epoxy finish
- Internals — Stainless steel, 300 Series
NORYL™, NSF Listed
- Fasteners — Stainless Steel, 300 Series
- Elastomers — EPDM (FDA approved)
Buna Nitrile (FDA approved)
- Polymers — NORYL™, NSF Listed
- Springs — Stainless Steel, 300 Series



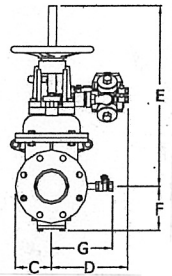
2 1/2 - 12"

- Maximum working water pressure — 175 PSI
- Maximum working water temperature — 140°F
- Hydrostatic test pressure — 350 PSI
- End connections (Grooved for steel) — AWWA C606
- (Flanged) — ANSI B16.1 Class 125

350ADA 2 1/2 - 10"

MODEL 350 ADA SIZE	DIMENSION (approximate)																				
	A		A WITH BUTTERFLY VALVES		B LESS GATE VALVES		C		D		E OS&Y OPEN		E OS&Y CLOSED		E WITH BUTTERFLY VALVES		F		G		
	in.	mm	in.	mm	in.	mm	in.	mm	in.	mm	in.	mm	in.	mm	in.	mm	in.	mm	in.	mm	
2 1/2	65	35 1/8	892	32 1/8	816	20 1/8	511	4 1/2	114	9	229	16 3/8	416	13 7/8	352	8	203	6	152	7 1/4	184
3	80	36 1/8	918	33	838	20 1/8	511	4 1/2	114	9	229	18 7/8	479	15 5/8	397	8	203	6	152	7 1/4	184
4	100	38 1/4	972	33 1/4	845	19 7/8	505	4 1/2	114	9	229	22 3/4	578	18 1/4	464	9 1/8	232	6	152	8	203
6	150	47 1/4	1200	40 1/4	1022	25 7/8	657	5 1/2	140	10 1/2	267	30 1/8	765	23 3/4	603	10 1/8	257	7	178	10	254
8	200	62	1575	55	1397	38 1/2	978	10	254	12	305	37 3/4	959	29 1/4	743	11 15/16	303	8 1/2	216	11	279
10	250	64 5/8	1642	58 1/2	1485	38 1/2	978	10	254	12	305	45 3/4	1162	35 3/8	899	13 5/16	338	8 1/2	216	12	305

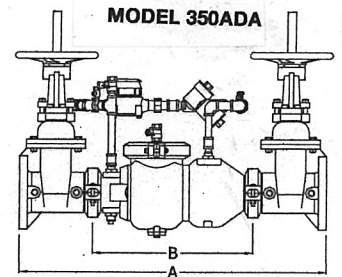
Attention: Model 350ADA (grooved body) and Model 350DA (flange body) have different lay lengths.



DIMENSIONS & WEIGHTS (do not include pkg.)

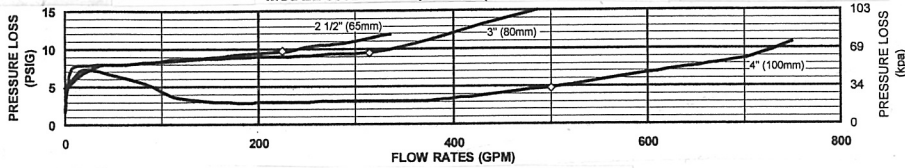
MODEL 350DA SIZE	DIMENSION (approximate)														WEIGHT				
	A		B LESS GATE VALVES		C		D		E OS&Y OPEN		E OS&Y CLOSED		F		WITHOUT GATE VALVES		WITH OS&Y GATE VALVES		
	in.	mm	in.	mm	in.	mm	in.	mm	in.	mm	in.	mm	in.	mm	lbs.	kg	lbs.	kg	
2 1/2	65	31	787	15 7/8	403	3 3/4	95	9	229	16 3/8	416	13 7/8	352	3 1/2	89	68	30.9	178	80.8
3	80	32	813	15 7/8	403	3 3/4	95	9	229	18 7/8	479	15 5/8	397	3 1/2	89	68	30.9	198	90
4	100	37 5/8	956	19 1/2	495	4 1/2	114	9	229	22 3/4	578	18 1/4	464	6	152	106	48	296	134.4
6	150	44 3/4	1137	23 1/2	597	5 1/2	140	10 1/2	267	30 1/8	765	23 3/4	603	7	178	180	81.7	480	217.9
8	200	60 3/4	1543	37 3/4	959	10	254	12	305	37 3/4	959	29 1/4	743	8 1/2	216	374	170	850	385.9
10	250	63 3/4	1619	37 3/4	959	10	254	12	305	45 3/4	1162	35 3/8	899	8 1/2	216	404	183	1222	554.8
12	300	66 1/4	1683	38	965	10	254	12	305	53 1/8	1349	40 5/8	1032	8 7/8	226	463	210	1623	736.2

350DA 2 1/2 - 12"

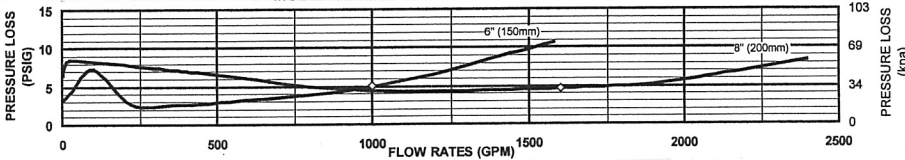


350DA

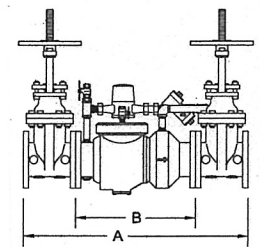
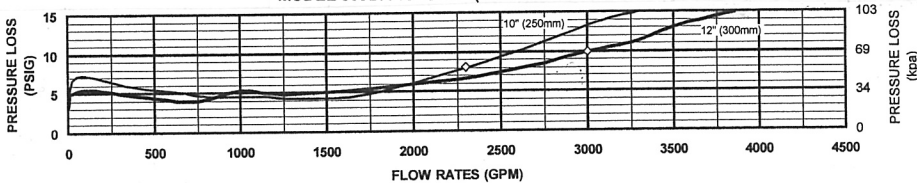
FLOW CHARACTERISTICS MODEL 350DA 2 1/2", 3" & 4" (STANDARD & METRIC)



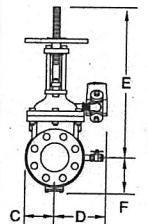
MODEL 350DA 6" & 8" (STANDARD & METRIC)



MODEL 350DA 10" & 12" (STANDARD & METRIC)

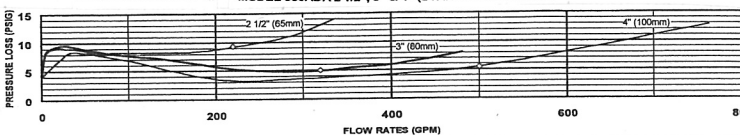


Model 350DA

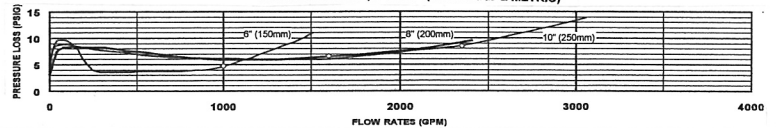


350ADA

MODEL 350ADA 2 1/2", 3" & 4" (STANDARD & METRIC)



MODEL 350ADA 6", 8" & 10" (STANDARD & METRIC)

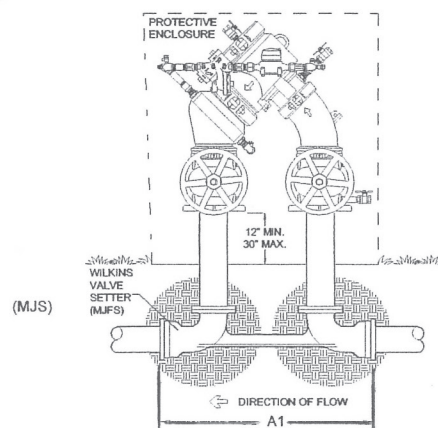
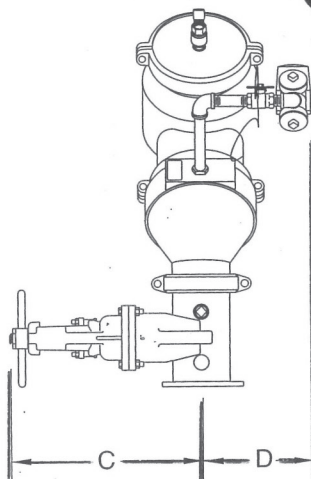
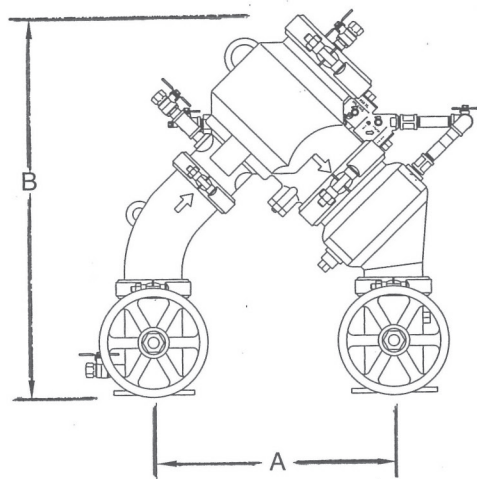
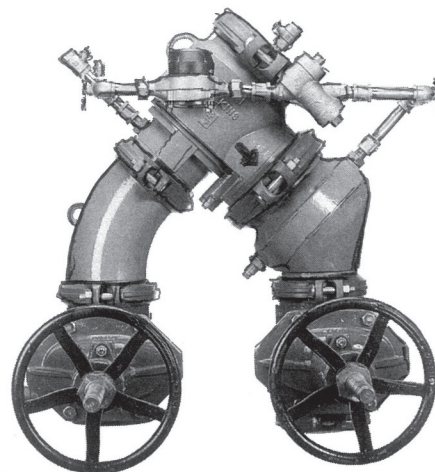


4 - 10"

MATERIALS

- Main valve body — Ductile Iron ASTM A 536 Grade 4
- Access covers — Ductile Iron ASTM A 536 Grade 4
- Coatings — FDA Approved fusion epoxy finish
- Internals — Stainless steel, 300 Series
NORYL™, NSF Listed
- Fasteners — Stainless Steel, 300 Series
- Elastomers — EPDM (FDA approved)
Buna Nitrile (FDA approved)
- Polymers — NORYL™, NSF Listed
- Springs — Stainless steel, 300 series

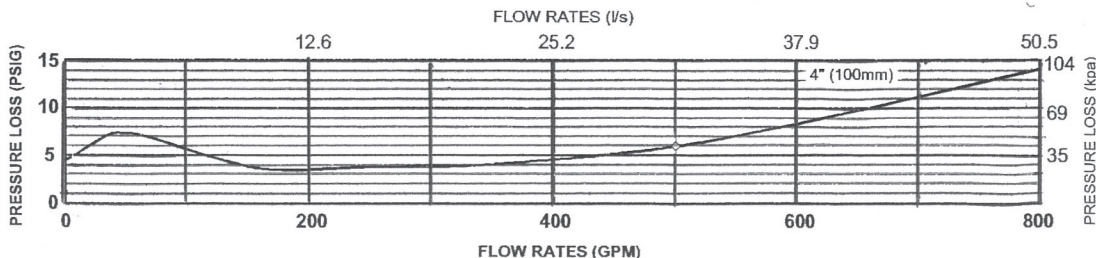
- Maximum working water pressure — 175 PSI
- Maximum working water temperature — 140°F
- Hydrostatic test pressure — 350 PSI
- End connections (Grooved) — AWWA C606
- (Flanged) — ANSI B16.1
Class 125



DIMENSIONS & WEIGHTS (do not include pkg.)

MODEL SIZE	DIMENSIONS (approximate)														WEIGHT						
	A		A1 SETTER END TO END FLS		A1 SETTER END TO END MJS & MJMJS		B WITH GATE VALVES		B LESS GATE VALVES		C OS&Y OPEN		C OS&Y CLOSED		D		LESS GATE VALVES		OS&Y GATE VALVES		
	in.	mm	in.	mm	in.	mm	in.	mm	in.	mm	in.	mm	in.	mm	in.	mm	lbs.	kg	lbs.	kg	
4	100	18 5/16	465	31 5/16	795	29 5/16	745	30	762	21	533	22 3/4	578	18 1/4	460	8	203	105	47.7	295	134
6	150	18 11/16	475	34 3/4	883	32 3/4	832	35 1/2	902	25	635	30 1/8	765	23 3/4	603	10	254	174	79	474	215
8	200	29	737	47	1194	44 5/8	1133	46	1168	34 7/16	845	37 3/4	959	29 1/4	743	13	330	402	182.5	878	399
10	250	29	737	51	1295	47	1194	47 1/2	1207	34 7/16	845	45 3/4	1162	35 3/8	899	13	330	420	191	1076	489

MODEL 450DA 4" (STANDARD & METRIC)



MODEL 450DA 6", 8" & 10" (STANDARD & METRIC)

